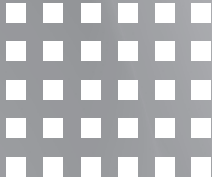


Swivel Fittings Technical Description Standard Series

Our **HYDRAULICS** connects and moves



Content

Dimensions - Plug and Hole	1
Dimensions - Tube / Hose Connection	2
Tightening Torques Inch	3
Tightening Torques Metric	4
Hose Guides	5
Description	6
GK 101 Straight Swivel Fitting - connection 24° / connection 24°	7
GK 102R Straight Swivel Fitting - connection - inch - form E / connection 24°	8
GK 102M Straight Swivel Fitting - connection - metric - form E / connection 24°	9
GK 103 Elbow Swivel Fitting - connection 24° / connection 24°	10
GK 104R Elbow Swivel Fitting - connection 60° - inch - form E / connection 24°	11
GK 104M Elbow Swivel Fitting - connection 60° - metric - form E / connection 24°	12
GK 105 Double Elbow Swivel Fitting - 24° connection / 24° connection	13
GK 107 Straight Elbow Swivel Fitting - port 24° - bulkhead / port 24°	14
GK 108 Elbow Swivel Fitting - connection 24° - bulkhead / connection 24°	15
GK 111 Straight Swivel Fitting with dust protection - connection 24° / connection 24°	16
GK 112R Straight Swivel Union with dust protection - connection - inch - form E / connection 24°	17
GK 117 Straight Swivel Union with dust protection - connection 24° - bulkhead / connection 24°	18
GK 119R Straight Swivel Union with dust protection - connections form E / form E	19
GK 309R Straight Swivel Fitting - connections form E / female thread	20
GK 329R Straight Swivel Union with dust protection - female / form E connections	21
GK 409R Straight Swivel Fitting - female threaded connections on both ends	22
GK 419R Straight Swivel Fitting with dust protection - female threaded connections on both ends	23
502R Elbow Block - connection 24° / connection inch form E	24
GK 502M Elbow Block - connection 24° / connection metric form E	25
GK 511 Elbow Block - connection 24° / connection 24°	26
GK 512M Elbow Block - connection 24° / connection metric form E	27
GK 512M Elbow Block - connection 24° / connection metric form E	28
GK 512R Elbow Block - connection 24° / connection inch form E	29
GK 512R Elbow Block - connection 24° / connection inch form E	30
GK 519R Elbow Block - Connections female thread on both sides	31

Dimensions - Plug and Hole

Form A

Sealed through sealing ring
Metric Thread: DIN 3852-1
BSP-Thread: DIN 3852-2



Form B

Sealed through sealing edge
Metric Thread:
ISO 9974-3 / DIN 3852-1
BSP-Thread:
ISO 1179-4 / DIN 3852-2

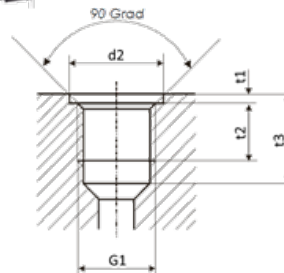


Form E

Sealed through elastomer seal
Metric Thread:
ISO 9974-2 / DIN 3852-11
BSP-Thread:
ISO 1179-2 / DIN 3852-11



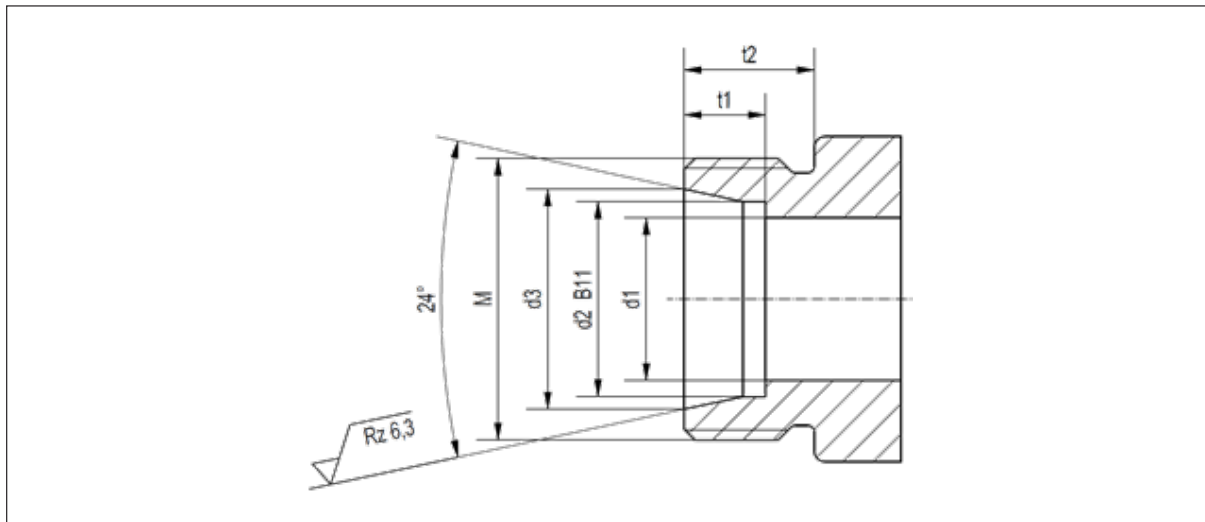
Screw-in Hole Form X
Metric Thread:
ISO 9974-1 / DIN 3852-1
BSP-Thread:
ISO 1179-1 / DIN 3852-2



G1	Form E		Form A and B		t1	t2	t3
	d1 min.	d2 min.	d3 min.	d2 min.			
M10 x 1	14	15	14	15	1	9	11
M12 x 1,5	17	18	17	18	1,5	13	15
M14 x 1,5	19	20	19	20	1,5	13	15
M16 x 1,5	22	23	21	22	1,5	13	15
M18 x 1,5	24	25	23	24	2	13	15
M20 x 1,5	26	27	25	26	2	15	17
M22 x 1,5	27	28	27	28	2,5	15	17
M26 x 1,5	32	33	31	32	2,5	17	19
M27 x 2	32	33	32	33	2,5	17	19
M33 x 2	40	41	39	40	2,5	19	21
M42 x 2	50	51	49	50	2,5	21	23
M48 x 2	55	56	55	56	2,5	23	25

G1	Form E		Form A and B		t1	t2	t3
	d1 min.	d2 min.	d3 min.	d2 min.			
G 3/8	14	15	14	15	1	9	11
G 1/4	19	20	18	19	1,5	13	15
G 3/8	22	23	22	23	2	13	15
G 1/2	27	28	21	22	2,5	15	17
G 3/4	32	33	32	33	2,5	17	19
G 1	40	41	39	40	2,5	19	21
G 1 1/4	50	51	49	50	2,5	21	23
G 1 1/2	55	56	55	56	2,5	23	25

Dimensions - Tube / Hose



	AD	DN	M	d1	d2 B11	d3	t1	t2
LL very light	4	3	M8 x 1	3	4	5	4	8
	6	4	M10 x 1	4,5	6	7,5	5,5	8
	8	6	M12 x 1	6	8	9,5	5,5	9
	10	8	M14 x 1	8	10	11,5	5,5	9
	12	10	M16 x 1	10	12	13,5	6	9
L light	6	4	M12 x 1,5	4	6	8,1	7	10
	8	6	M14 x 1,5	6	8	10,1	7	10
	10	8	M16 x 1,5	8	10	12,3	7	11
	12	10	M18 x 1,5	10	12	14,3	7	11
	15	12	M22 x 1,5	12	15	17,3	7	12
	18	16	M26 x 1,5	15	18	20,3	7,5	12
	22	20	M30 x 2	19	22	24,3	7,5	14
	28	25	M36 x 2	24	28	30,3	7,5	14
	35	32	M45 x 2	30	35	38	10,5	16
S heavy	6	3	M14 x 1,5	4	6	8,1	7	12
	8	4	M16 x 1,5	5	8	10,1	7	12
	10	6	M18 x 1,5	7	10	12,3	7,5	12
	12	8	M20 x 1,5	8	12	14,3	7,5	12
	14	10	M22 x 1,5	10	14	16,3	8	14
	16	12	M24 x 1,5	12	16	18,3	8,5	14
	20	16	M30 x 2	16	20	22,9	10,5	16
	25	20	M36 x 2	20	25	27,9	12	18
	30	25	M42 x 2	25	30	33	13,5	20
	38	32	M52 x 2	32	38	41	16	22

Tightening Torques Inch

- ISO 1179-2
- DIN 3852-2/11

Series	AD	Thread	Straight screw-in socket			Swivel	Sealing
			Form A	Form B	Form E	Screw Connection	Plug
			[Nm]	[Nm]	[Nm]	WH / TH [Nm]	VSTI Form E [Nm]
L	6	G 1/8-A	9	18	18	18	12
	8	G 1/4-A	35	35	35	45	30
	10	G 1/4-A	35	35	35	45	30
	12	G 3/8-A	45	70	70	70	50
	15	G 1/2-A	65	140	90	120	80
	18	G 1/2-A	65	100	90	120	80
	22	G 3/4-A	90	180	180	230	135
	28	G 1-A	150	330	310	320	200
	35	G 1 1/4-A	240	540	450	540	360
	42	G 1 1/2-A	290	630	540	700	450
S	6	G 1/4-A	35	55	40	45	30
	8	G 1/4-A	35	55	40	45	30
	10	G 3/8-A	45	90	80	70	50
	12	G 3/8-A	45	90	80	70	50
	14	G 1/2-A	65	150	115	120	80
	16	G 1/2-A	65	130	115	120	80
	20	G 3/4-A	90	270	180	230	135
	25	G 1-A	150	340	310	320	200
	30	G 1 1/4-A	240	540	450	540	360
	38	G 1 1/2-A	290	700	540	700	450

- Tolerance for torques: +10%
- Lubricate thread before screwing in
- Torque specifications for steel components
- For stainless steel components, apply upper tolerance limit.

Tightening Torques Metric

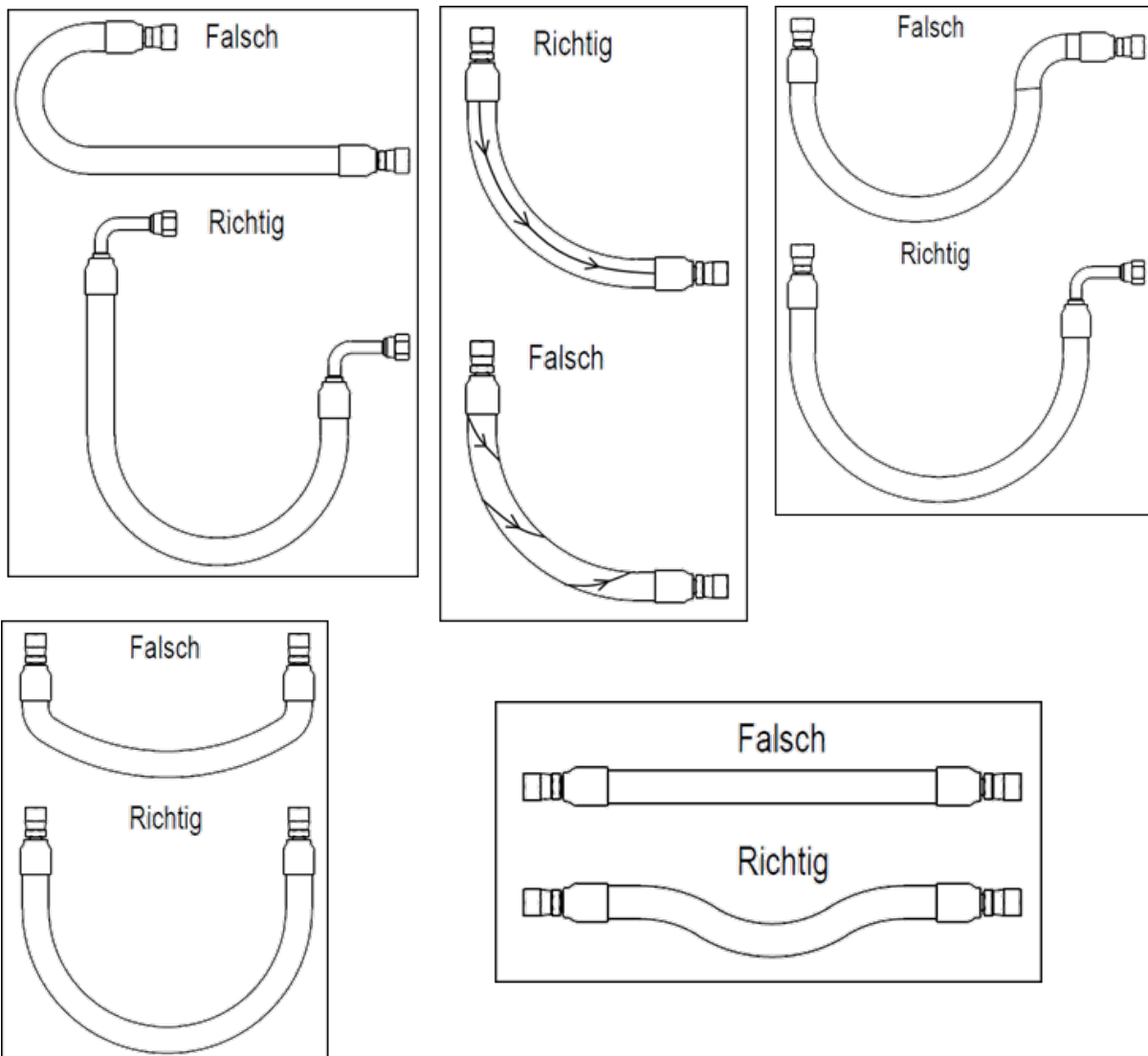
- ISO 1179-2
- DIN 3852-2/11
- DIN ISO 6149-2/3

Series	AD	Thread	Straight screw-in socket				Swivel	Sealing
			Form A	Form B	Form E	Form F	Screw Connection	Plug
							WH / TH	VSTI Form E
[Nm]	[Nm]	[Nm]	[Nm]	[Nm]	[Nm]			
L	6	M 10 x 1,0	9	18	18	15	18	12
	8	M 12 x 1,5	20	30	25	25	45	25
	10	M 14 x 1,5	35	45	45	35	55	35
	12	M 16 x 1,5	45	65	55	40	80	50
	15	M 18 x 1,5	55	80	70	45	100	65
	18	M 22 x 1,5	65	140	125	60	140	90
	22	M 26 x 1,5	90	190	180	100	320	135
	28	M 33 x 2,0	150	340	310	160	360	225
	35	M 42 x 2,0	240	500	450	210	540	360
	42	M 48 x 2,0	290	630	540	210	700	360
S	6	M 12 x 1,5	20	35	40	35	45	25
	8	M 14 x 1,5	35	55	40	45	55	35
	10	M 16 x 1,5	45	70	70	55	80	50
	12	M 18 x 1,5	55	110	90	70	100	65
	14	M 20 x 1,5	55	150	125	80	125	80
	16	M 22 x 1,5	65	170	135	100	135	90
	20	M 27 x 2,0	90	270	180	170	320	170
	25	M 33 x 2,0	150	410	310	310	360	225
	30	M 42 x 2,0	240	540	450	330	540	360
	38	M 48 x 2,0	290	700	540	420	700	360

- Tolerance for torques: +10%
- Lubricate thread before screwing in
- Torque specifications for steel components
- For stainless steel components, apply upper tolerance limit.

Hose Guides

When guiding the hoses, care must be taken to avoid lateral tension forces (see illustrations below). When designing and installing the hose, the manufacturer's specifications for the hydraulic hoses should be followed as a matter of urgency. Attention should also be paid to the tightening torques of all components.



Description

Rotary unions/ Swivel fittings are connecting elements that hydraulically connect stationary and rotating machine parts with each other. They are designed for swiveling and rotating movements at high pressure and their field of application is where hoses or pipelines cannot compensate for these movements.

Due to different designs, materials, surface coatings and seals, our products can be used for different areas and media. It is also possible to customize the standard swivel fittings on request.

Swivel fittings help where torsion or unacceptable bending radii would occur in hoses. The service life is considerably increased by the use of swivel fittings, as this greatly reduces the load on the hoses.

The standard versions are made of free-cutting steel and treated with a zinc-nickel surface finish. The seals used in these fittings are made of NBR.

Since there are countless applications for this type of product, it is necessary to select the appropriate swivel fittings depending on the application with regard to pressure, speed, media, temperature, installation situation, etc. This is the only way to achieve the longest possible service life.

On request, approvals for higher pressure ranges are possible.

The temperature range of our fittings depends on the seals used and the application medium.

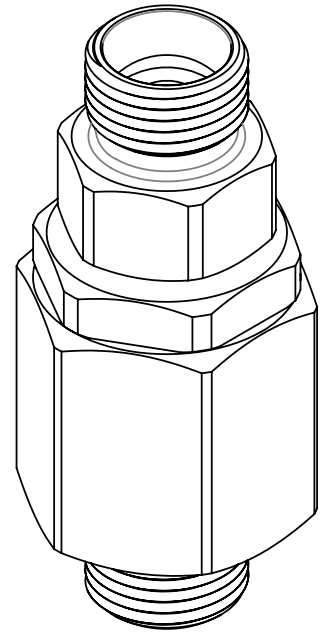
As standard we use NBR. This standard seal material has a minimum operating temperature of up to -30°C and a maximum operating temperature of up to 130°C.

This sealing material is particularly resistant to the effects of mineral oils, especially hydraulic oils, lubricating greases, gasoline as well as other aliphatic hydrocarbons, diluted acids and alkali. Due to the high

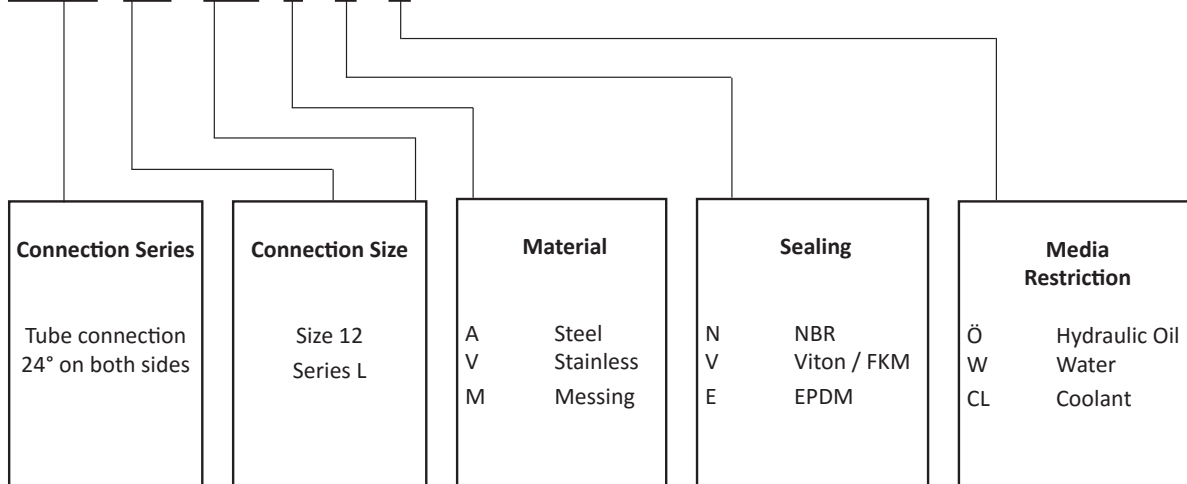
abrasion resistance and stability, it is the best material for general applications.

Of course, we offer our fittings with other sealing materials appropriate to the applications on request.

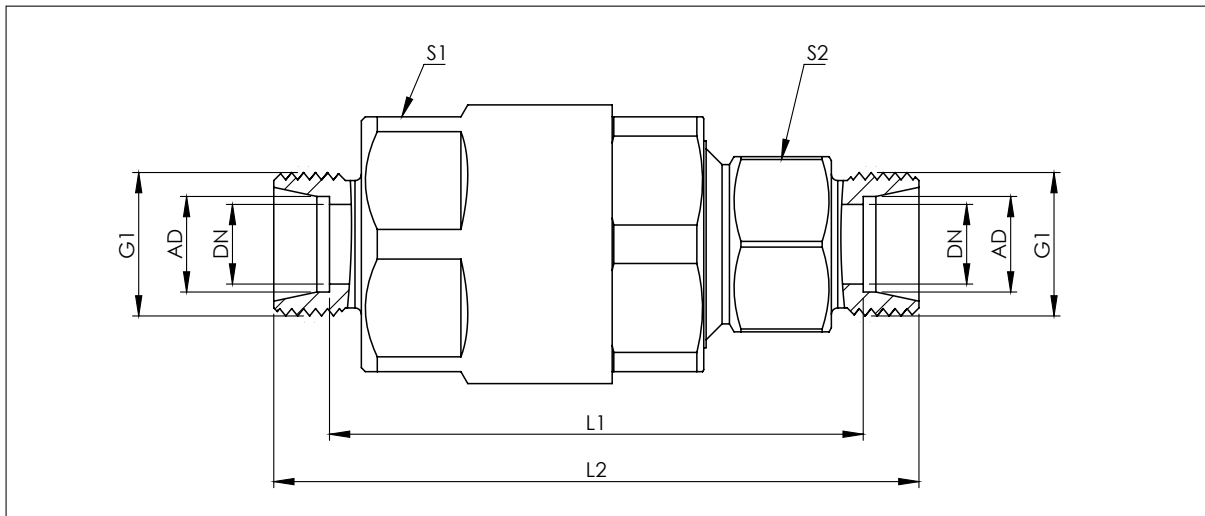
All our screw fittings can be used for simple rotary and swivel movements. Exact speeds on request.



GK101 - 12L - 12L - A - N - Ö



GK 101 Straight Swivel Fitting - connection 24° / connection 24°

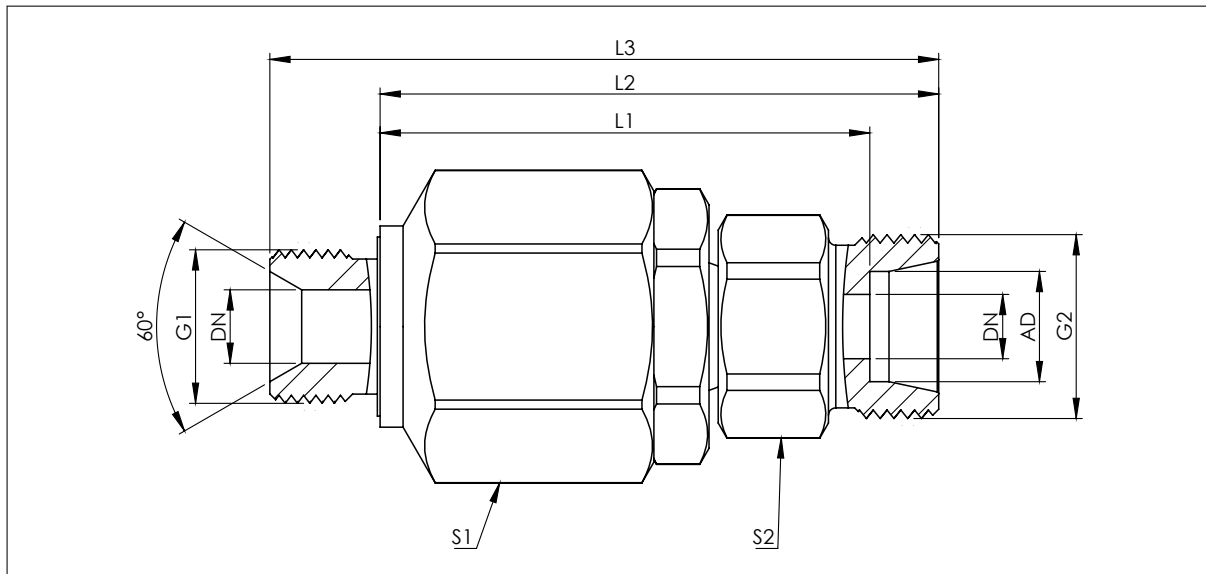


AD	DN	G1	L1	L2	S1	S2	P (bar)	Designation	Article-Nr.
6L	4	M12 x 1,5	43,2	57,2	22	17	350	GK101-6L-6L-A-N	GK 1660/00N
8L	6	M14 x 1,5	43,2	57,2	22	17	350	GK101-8L-8L-A-N	GK 1661/00N
10L	7,5	M16 x 1,5	56,5	70,5	30	19	350	GK101-10L-10L-A-N	GK 1662/00N
12L	7,5	M18 x 1,5	58,5	72,5	30	22	350	GK101-12L-12L-A-N	GK 1663/00N
15L	12	M22 x 1,5	57,7	71,7	30	24	350	GK101-15L-15L-A-N	GK 1664/00N
18L	16	M26 x 1,5	66,4	81,4	41	36	350	GK101-18L-18L-A-N	GK 1665/00N
22L	16	M30 x 2	71,4	86,4	41	36	350	GK101-22L-22L-A-N	GK 1666/00N
28L	20	M36 x 2	73,4	88,4	41	36	250	GK101-28L-28L-A-N	GK 1667/00N
35L	30	M45 x 2	80,5	101,5	60	55	250	GK101-35L-35L-A-N	GK 1668/00N
42L	32	M52 x 2	80,9	102,9	60	55	250	GK101-42L-42L-A-N	GK 1669/00N

AD	DN	G1	L1	L2	S1	S2	P (bar)	Designation	Article-Nr.
6S	4	M14 x 1,5	47,2	61,2	22	17	350	GK101-6S-6S-A-N	GK 1670/00N
8S	6	M16 x 1,5	41	61,2	22	17	350	GK101-8S-8S-A-N	GK 1671/00N
10S	7	M18 x 1,5	57,8	72,8	30	22	350	GK101-10S-10S-A-N	GK 1672/00N
12S	7,5	M20 x 1,5	57,5	72,5	30	22	350	GK101-12S-12S-A-N	GK 1673/00N
16S	12	M24 x 1,5	57,4	74,4	30	24	350	GK101-16S-16S-A-N	GK 1674/00N
20S	16	M30 x 2	71,4	92,4	41	36	350	GK101-20S-20S-A-N	GK 1675/00N
25S	20	M36 x 2	72,4	96,4	41	36	350	GK101-25S-25S-A-N	GK 1676/00N
30S	25	M42 x 2	83	110	60	55	250	GK101-30S-30S-A-N	GK 1677/00N
38S	32	M52 x 2	82,5	114,5	60	55	250	GK101-38S-38S-A-N	GK 1678/00N

Alternative sizes and materials as well as seals on request.
All data without guarantee, subject to technical changes.

GK 102R Straight Swivel Fitting - connection - inch - form E / connection 24°

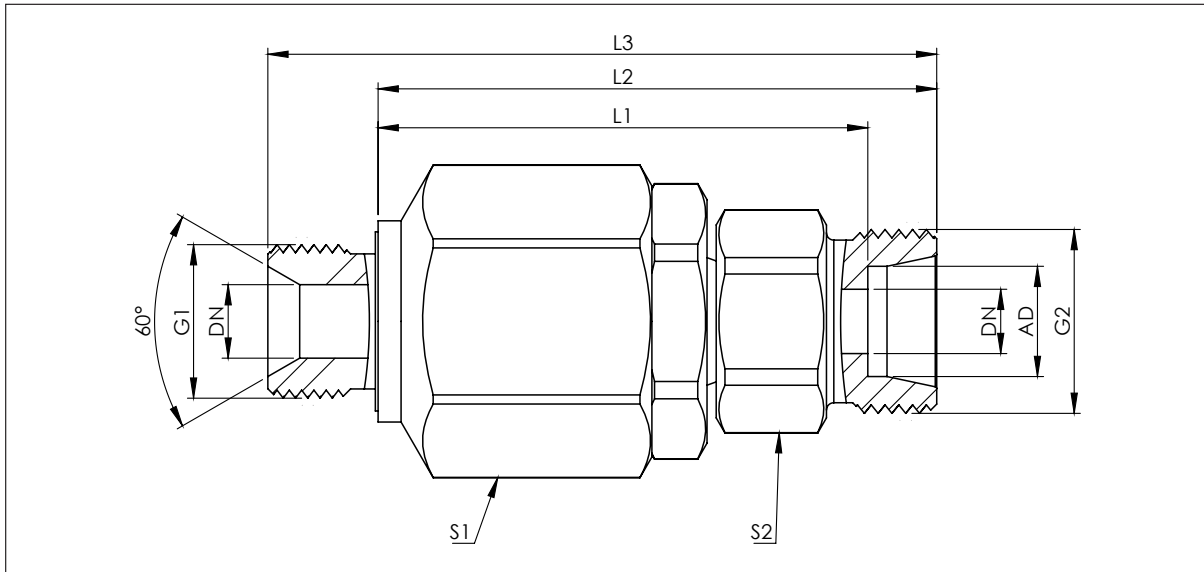


AD	DN	G1	G2	L1	L2	L3	S1	S2	P (bar)	Designation	Article-Nr.
6L	4	G 1/4	M12 x 1,5	40,2	47,2	59,5	22	17	350	GK102R-G1/4FE-6L-A-N	GK 1680/00N
8L	6	G 1/4	M14 x 1,5	40,2	47,2	59,5	22	17	350	GK102R-G1/4FE-8L-A-N	GK 1681/00N
10L	8	G 1/4	M16 x 1,5	42,2	49,2	61,2	22	17	350	GK102R-G1/4FE-10L-A-N	GK 1692/00N
10L	8	G 3/8	M16 x 1,5	52,5	59,5	71	30	19	350	GK102R-G3/8FE-10L-A-N	GK 1682/00N
12L	7	G 3/8	M18 x 1,5	53,5	60,5	72	30	22	350	GK102R-G3/8FE-12L-A-N	GK 1683/00N
15L	12	G 1/2	M22 x 1,5	51,7	58,7	72,5	30	24	350	GK102R-G1/2FE-15L-A-N	GK 1684/00N
18L	15	G 3/4	M26 x 1,5	67	74,5	90,5	41	36	350	GK102R-G3/4FE-18L-A-N	GK 1685/00N
22L	16	G 3/4	M30 x 2	67	74,5	90,5	41	36	350	GK102R-G3/4FE-22L-A-N	GK 1686/00N
28L	20	G 1	M36 x 2	67	74,5	92,5	46	36	250	GK102R-G1FE-28L-A-N	GK 1687/00N
35L	25	G 1 1/4	M45 x 2	75	85,5	106	60	55	250	GK102R-G1.1/4FE-35L-A-N	GK 1688/00N
42L	32	G 1 1/2	M52 x 2	75,5	86,5	108,5	60	55	250	GK102R-G1.1/2FE-42L-A-N	GK 1689/00N

AD	DN	G1	G2	L1	L2	L3	S1	S2	P (bar)	Designation	Article-Nr.
6S	4	G 1/4	M14x1,5	42,5	49,5	61,5	22	17	350	GK102R-G1/4FE-6S-A-N	GK 1690/00N
8S	6	G 1/4	M16x1,5	42,5	49,5	61,5	22	17	350	GK102R-G1/4FE-8S-A-N	GK 1691/00N
12S	7,5	G 3/8	M20x1,5	53	60	72	30	22	350	GK102R-G3/8FE-12S-A-N	GK 1693/00N
16S	12	G 1/2	M24x1,5	52	60,5	74,5	30	24	350	GK102R-G1/2FE-16S-A-N	GK 1694/00N
20S	16	G 3/4	M30x2	66	76,5	92,5	41	36	350	GK102R-G3/4FE-20S-A-N	GK 1695/00N
25S	20	G 1	M36x2	66,5	78,5	96,5	46	36	350	GK102R-G1FE-25S-A-N	GK 1696/00N
30S	25	G 1 1/4	M42x2	76,5	90	110	60	55	250	GK102R-G1.1/4FE-30S-A-N	GK 1697/00N
38S	32	G 1 1/2	M52x2	76,5	92,5	114,5	60	55	250	GK102R-G1.1/2FE-38S-A-N	GK 1698/00N

Alternative sizes and materials as well as seals on request.
All data without guarantee, subject to technical changes.

GK 102M Straight Swivel Fitting - connection - metric - form E / connection 24°

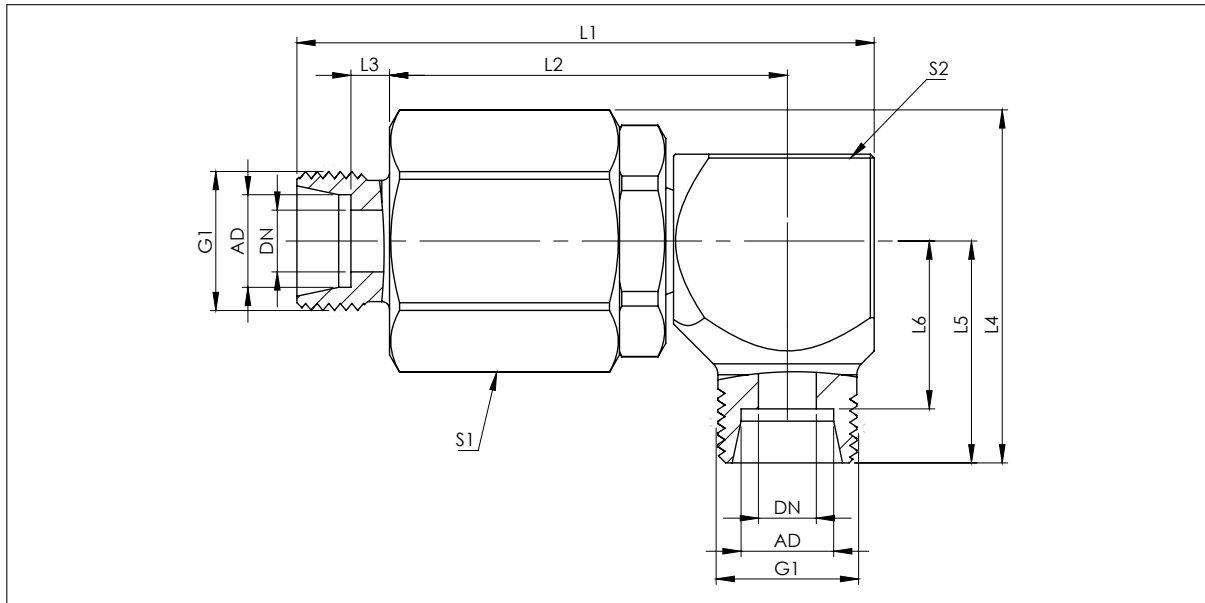


AD	DN	G1	G2	L1	L2	L3	S1	S2	P (bar)	Designation	Article-Nr.
15L	12	M18 x 1,5	M22 x 1,5	52,5	59,5	71,5	30	24	350	GK102M-M18FE-15L-A-N	GK 1644/00N

AD	DN	G1	G2	L1	L2	L3	S1	S2	P (bar)	Designation	Article-Nr.
12S	7,5	M18 x 1,5	M20 x 1,5	53	60,5	72,5	30	22	350	GK102M-M18FE-12S-A-N	GK 1653/00N
20S	16	M27 x 2	M30 x 2	65,9	76,4	92,4	41	36	350	GK102M-M27FE-20S-A-N	GK 1656/00N
25S	20	M33 x 2	M36 x 2	66,3	78,3	96,3	41	36	350	GK102M-M33FE-25S-A-N	GK 1657/00N

Alternative sizes and materials as well as seals on request.
All data without guarantee, subject to technical changes.

GK 103 Elbow Swivel Fitting - connection 24° / connection 24°

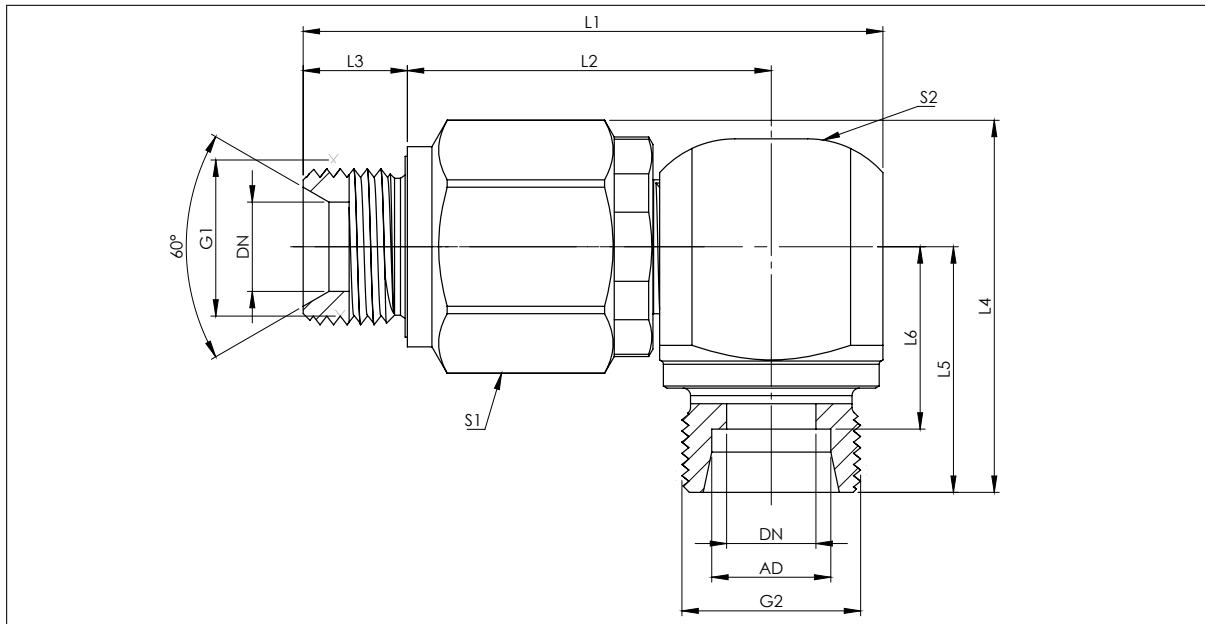


AD	DN	G1	L1	L2	L3	L4	L5	L6	S1	S2	P (bar)	Designation	Article-Nr.
6L	4	M12 x 1,5	57,2	39,2	3	32,5	20	13	22	20	350	GK103-6L-6L-A-N	GK 1960/00N
8L	6	M14 x 1,5	57,2	39,2	3	35	22,5	15,5	22	20	350	GK103-8L-8L-A-N	GK 1961/00N
10L	7,5	M16 x 1,5	73,5	51,3	4	45,8	29	22	30	22	350	GK103-10L-10L-A-N	GK 1962/00N
12L	7,5	M18 x 1,5	74,5	51,3	5	45,7	29	21,8	30	22	350	GK103-12L-12L-A-N	GK 1963/00N
15L	10	M22 x 1,5	72,8	49,6	5	45,8	29	21,8	30	22	350	GK103-15L-15L-A-N	GK 1964/00N
18L	15	M26 x 1,5	92,3	65,3	4,5	58,8	36	28,5	41	40	350	GK103-18L-18L-A-N	GK 1965/00N
22L	19	M30 x 2	97,3	68,3	6,5	60,8	38	30,5	41	40	350	GK103-22L-22L-A-N	GK 1966/00N
28L	19	M36 x 2	97,4	65,4	6,5	60,8	38	30,5	41	40	250	GK103-28L-28L-A-N	GK 1967/00N
35L	30	M45 x 2	129	88,9	5,5	77,3	45	34,5	60	60	250	GK103-35L-35L-A-N	GK 1968/00N
42L	32	M52 x 2	127,4	84,4	5	77,3	45	34	60	60	250	GK103-42L-42L-A-N	GK 1969/00N

AD	DN	G1	L1	L2	L3	L4	L5	L6	S1	S2	P (bar)	Designation	Article-Nr.
6S	4	M14 x 1,5	59,2	39,2	5	36	23,5	16,5	22	25	350	GK103-6S-6S-A-N	GK 1970/00N
8S	6	M16 x 1,5	59,2	39,2	5	35,5	23	16	22	25	350	GK103-8S-8S-A-N	GK 1971/00N
12S	7,5	M20 x 1,5	74,5	51,3	4,5	45,8	28,8	21,8	30	22	350	GK103-12S-12S-A-N	GK 1973/00N
16S	12	M24 x 1,5	77,5	49	5,5	49,8	33	24,5	30	30	350	GK103-16S-16S-A-N	GK 1974/00N
20S	16	M30 x 2	101,3	67,3	5,5	62,8	40	29,5	41	40	350	GK103-20S-20S-A-N	GK 1975/00N
25S	20	M36 x 2	86,9	50,9	6	64,8	42	30	41	40	350	GK103-25S-25S-A-N	GK 1976/00N
30S	25	M42 x 2	133,4	90,4	6,5	83,6	49	35,5	60	60	250	GK103-30S-30S-A-N	GK 1977/00N
38S	32	M52 x 2	133,4	81,4	6	89,3	57	41	60	60	250	GK103-38S-38S-A-N	GK 1978/00N

Alternative sizes and materials as well as seals on request.
All data without guarantee, subject to technical changes.

GK 104R Elbow Swivel Fitting - connection 60° - inch - form E / connection 24°

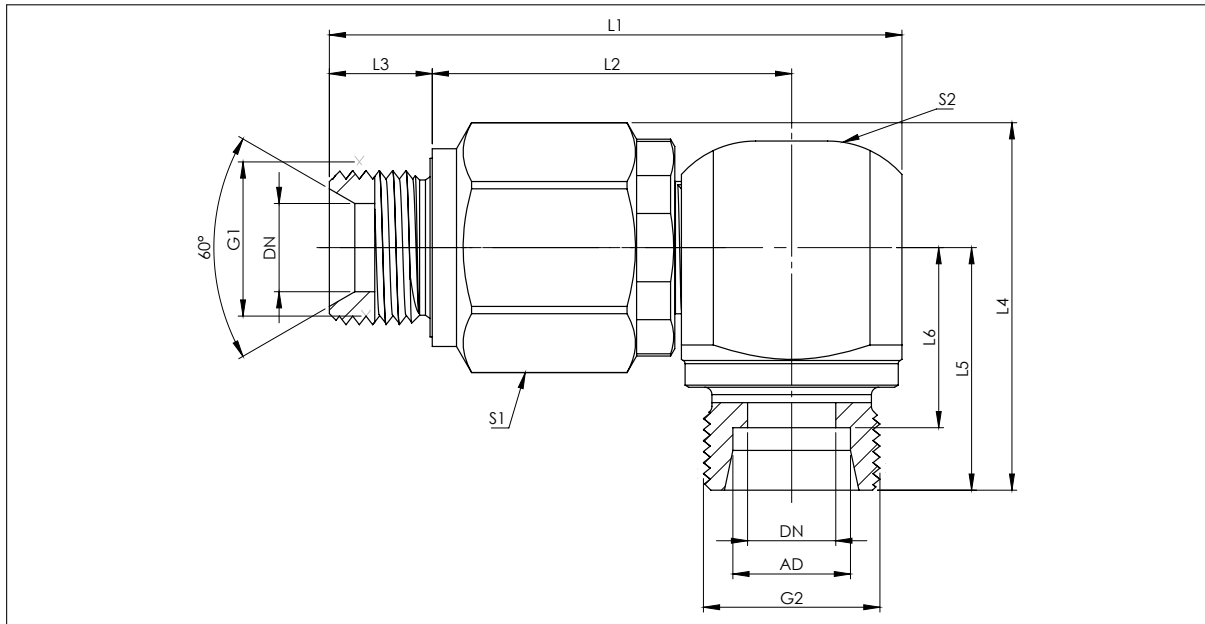


AD	DN	G1	G2	L1	L2	L3	L4	L5	L6	S1	S2	P (bar)	Designation	Article-Nr.
6L	4	G 1/4	M12 x 1,5	59,2	39,2	12	32,5	20	13	17	22	350	GK104R-G1/4FE-6L-A-N	GK 1780/00N
8L	6	G 1/4	M14 x 1,5	59,3	39,3	12	35	22,5	15,5	22	20	350	GK104R-G1/4FE-8L-A-N	GK 1781/00N
10L	8	G 3/8	M16 x 1,5	74,5	51,3	12	45,8	28,8	21,8	24	30	350	GK104R-G3/8FE-10L-A-N	GK 1782/00N
12L	10	G 3/8	M18 x 1,5	74,5	51,3	12	45,8	28,8	21,8	24	30	350	GK104R-G3/8FE-12L-A-N	GK 1783/00N
15L	12	G 1/2	M22 x 1,5	73,8	48,6	14	45,8	28,8	21,8	24	30	350	GK104R-G1/2FE-15L-A-N	GK 1784/00N
18L	16	G 1/2	M26 x 1,5	101,3	68,3	18	58,8	36	28,5	24	30	350	GK104R-G1/2FE-18L-A-N	GK 1785/00N
22L	20	G 3/4	M30 x 2	101,3	68,3	18	60,8	38	30,5	36	41	350	GK104R-G3/4FE-22L-A-N	GK 1786/00N
28L	25	G 1	M36 x 2	101,4	65,4	18	62,8	38	30,5	36	41	250	GK104R-G1FE-28L-A-N	GK 1787/00N
35L	32	G 1 1/4	M45 x 2	133,4	88,9	20	78,5	45	34,5	55	60	250	GK104R-G1.1/4FE-35L-A-N	GK 1788/00N
42L	40	G 1 1/2	M52 x 2	133,4	84,4	22	78,5	45	34	55	60	250	GK104R-G1.1/2FE-42L-A-N	GK 1789/00N

AD	DN	G1	G2	L1	L2	L3	L4	L5	L6	S1	S2	P (bar)	Designation	Article-Nr.
6S	4	G 1/4	M14 x 1,5	59,2	39,2	12	36	23,5	16,5	22	25	350	GK104R-G1/4FE-6S-A-N	GK 1790/00N
8S	6	G 1/4	M16 x 1,5	59,2	39,2	12	35,5	23	16	22	25	350	GK104R-G1/4FE-8S-A-N	GK 1791/00N
10S	8	G 3/8	M18 x 1,5	74,8	51,6	12	45,7	28,8	21,3	30	22	350	GK104R-G3/8FE-10S-A-N	GK 1792/00N
12S	10	G 3/8	M20 x 1,5	74,5	51,3	12	45,8	28,8	21,3	30	22	350	GK104R-G3/8FE-12S-A-N	GK 1793/00N
16S	12	G 1/2	M24 x 1,5	78,2	49,2	14	50	33	24,5	30	30	350	GK104R-G1/2FE-16S-A-N	GK 1794/00N
20S	16	G 1	M30 x 2	101,4	67,4	16	62,8	40	29,5	41	40	350	GK104R-G1FE-20S-A-N	GK 1795/00N
25S	20	G 1	M36 x 2	101,4	65,6	18	66,8	42	30	46	40	350	GK104R-G1FE-25S-A-N	GK 1796/00N
30S	25	G 1 1/4	M42 x 2	133,4	90,4	20	82,5	49	35,5	60	60	250	GK104R-G1.1/4FE-30S-A-N	GK 1797/00N
38S	32	G 1 1/2	M52 x 2	103,4	81,4	22	90,5	57	41	60	60	250	GK104R-G1.1/2FE-38S-A-N	GK 1798/00N

Alternative sizes and materials as well as seals on request.
All data without guarantee, subject to technical changes.

GK 104M Elbow Swivel Fitting - connection 60° - metric - form E / connection 24°

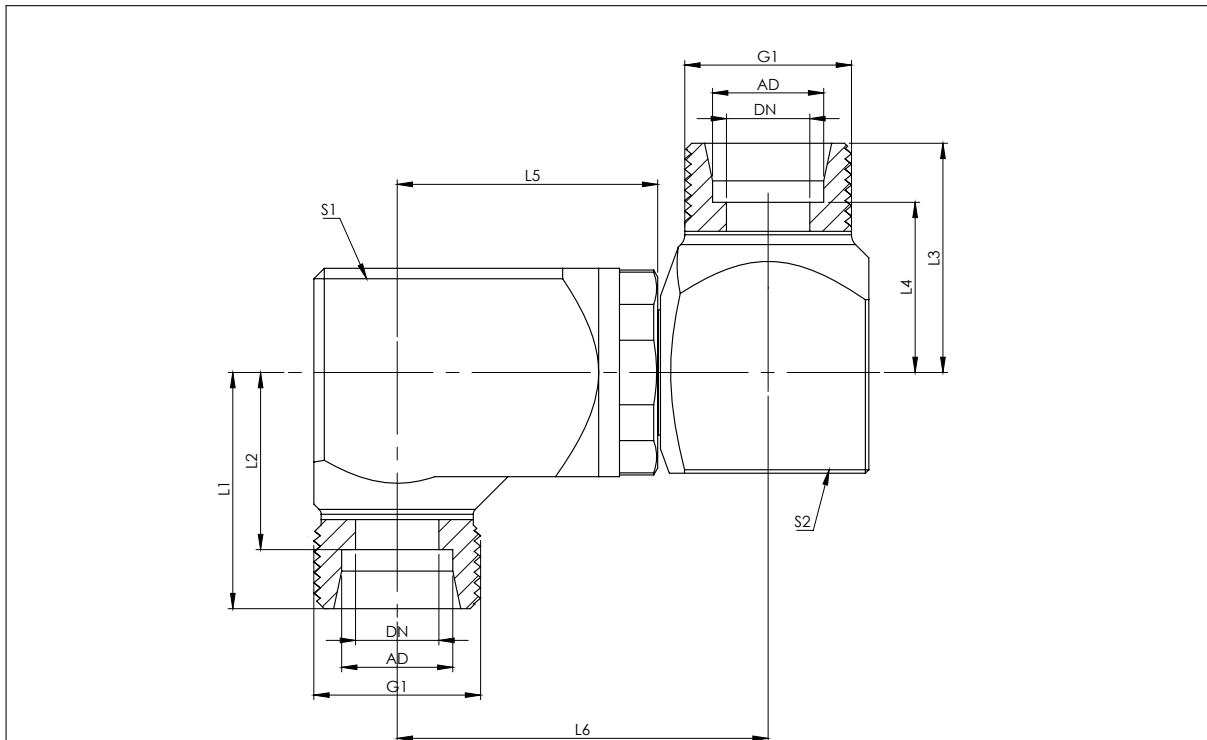


AD	DN	G1	G2	L1	L2	L3	L4	L5	L6	S1	S2	P (bar)	Designation	Article-Nr.
10L	8	M20 x 1,5	M16 x 1,5	74,5	49,3	14	45,8	28,8	21,8	30	22	350	GK104M-M20FE-10L-A-N	GK 1761/00N
12L	10	M18 x 1,5	M18 x 1,5	73	49,8	12	45,8	28,8	21,8	24	30	350	GK104M-M18FE-12L-A-N	GK 1763/00N
15L	12	M18 x 1,5	M22 x 1,5	73	49,8	12	40	28,8	21,8	30	22	350	GK104M-M18FE-15L-A-N	GK 1764/00N
15L	12	M22 x 1,5	M22 x 1,5	73	49,8	12	40	28,8	21,8	30	22	350	GK104M-M22FE-15L-A-N	GK 1762/00N
15L	12	M27 x 1,5	M22 x 1,5	73	49,8	12	40	28,8	21,8	30	22	350	GK104M-M27FE-15L-A-N	GK 1750/00N

AD	DN	G1	G2	L1	L2	L3	L4	L5	L6	S1	S2	P (bar)	Designation	Article-Nr.
16S	10	M22 x 1,5	M24 x 1,5	79	50	14	50	24,5	33	30	30	350	GK104M-M22FE-16S-A-N	GK 1774/00N
20S	16	M27 x 2	M30x2	83,4	16	62,8	40	29,5	36	41	350	GK104M-M27FE-20S-A-N	GK 1775/00N	
25S	20	M33 x 2	M36x2	83,3	18	64,8	42	30	41	40	350	GK104M-M33FE-25S-A-N	GK 1776/00N	

Alternative sizes and materials as well as seals on request.
All data without guarantee, subject to technical changes.

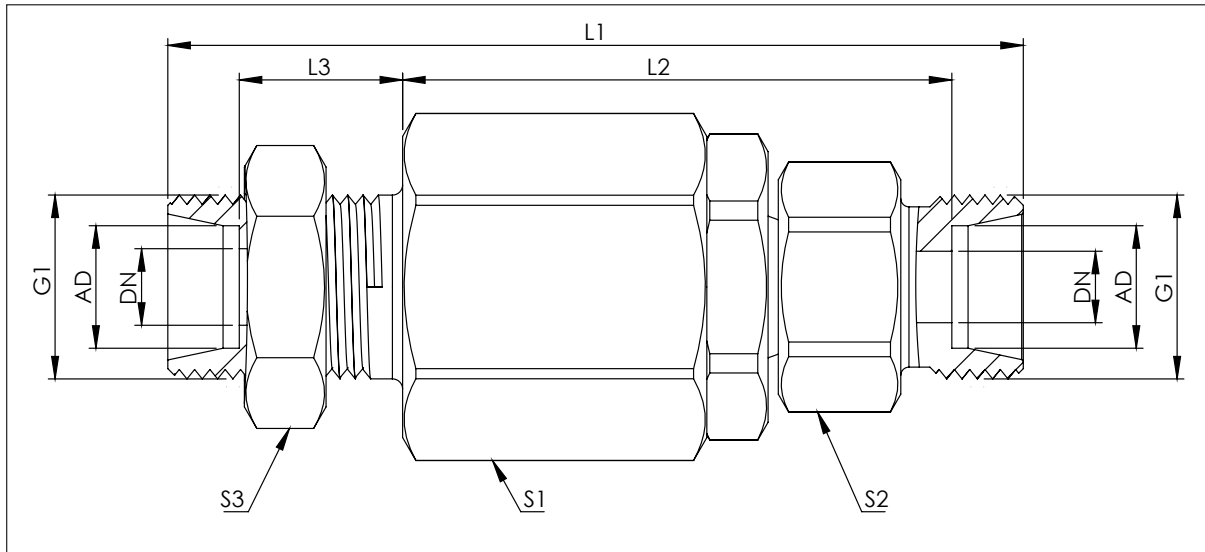
GK 105 Double Elbow Swivel Fitting - 24° connection / 24° connection



AD	DN	G1	L1	L2	L3	L4	L5	L6	S1	S2	P (bar)	Designation	Article-Nr.
12S	7,5	M20 x 1,5	34	27	28,8	21,3	38	53,5	24	24	350	GK105-12S-12S-A-N	GK 1993/00N
16S	12	M24 x 1,5	34	25,5	33	24,5	38	53,9	24	24	350	GK105-16S-16S-A-N	GK 1994/00N
20S	16	M30 x 2	57,5	37	40	29,5	53,8	75,9	32	32	350	GK105-20S-20S-A-N	GK 1995/00N
25S	20	M36 x 2	52,5	40,5	42	30	53,7	75,8	32	32	350	GK105-25S-25S-A-N	GK 1996/00N
30S	25	M42 x 2	65,5	52	49	35,5	61,7	99,4	50	50	250	GK105-30S-30S-A-N	GK 1997/00N
38S	32	M52 x 2	65,5	49,5	57	41	61,7	92,4	50	50	250	GK105-38S-38S-A-N	GK 1998/00N

Alternative sizes and materials as well as seals on request.
All data without guarantee, subject to technical changes.

GK 107 Straight Elbow Swivel Fitting - port 24° - bulkhead / port 24°

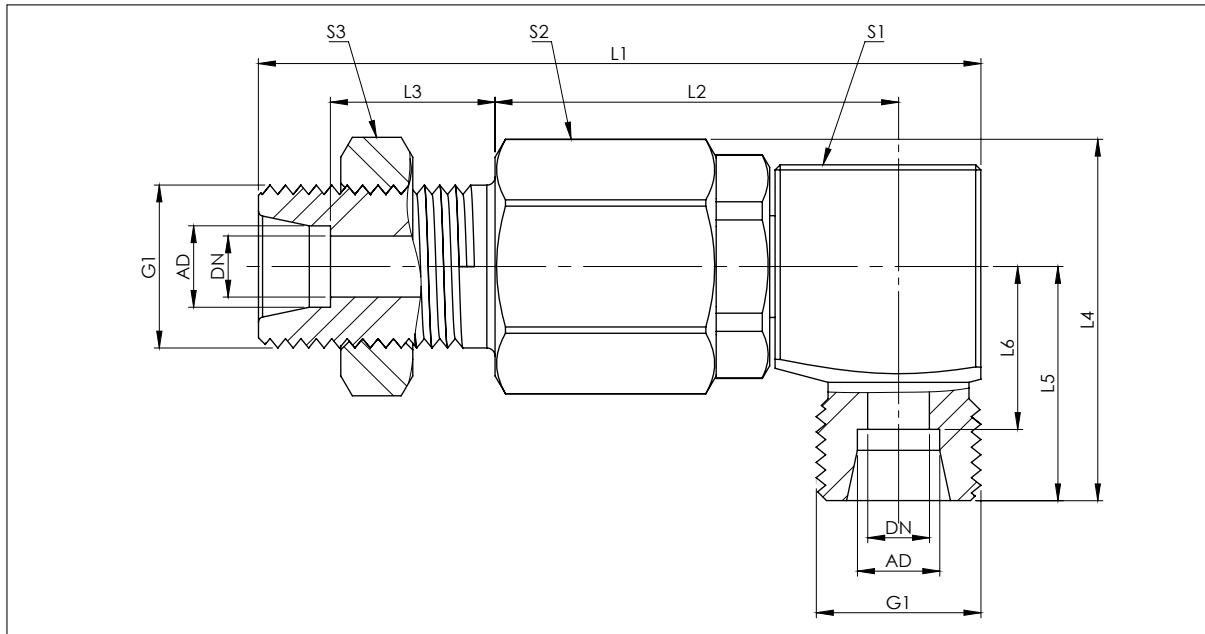


AD	DN	G1	L1	L2	L3	S1	S2	S3	P (bar)	Designation	Article-Nr.
6L	4	M12 x 1,5	70,2	40,2	23	22	17	17	350	GK107-S6L-6L-A-N	GK 1560/00N
8L	6	M14 x 1,5	70,2	40,2	23	22	17	19	350	GK107-S8L-8L-A-N	GK 1561/00N
10L	8	M16 x 1,5	82,5	52,5	23	30	19	22	350	GK107-S10L-10L-A-N	GK 1562/00N
12L	7	M18 x 1,5	83,5	53,5	23	30	22	24	350	GK107-S12L-12L-A-N	GK 1563/00N
15L	12	M22 x 1,5	84,4	51,4	26	32	24	32	350	GK107-S15L-15L-A-N	GK 1564/00N
18L	16	M26 x 1,5	109,4	61,9	40	41	36	36	350	GK107-S18L-18L-A-N	GK 1565/00N
22L	19	M30 x 2	109,9	68,4	34	41	36	41	350	GK107-S22L-22L-A-N	GK 1566/00N
28L	19	M36 x 2	114,4	66,9	40	41	36	46	250	GK107-S28L-28L-A-N	GK 1567/00N
35L	30	M45 x 2	129,9	75,4	33,5	60	55	55	250	GK107-S35L-35L-A-N	GK 1568/00N
42L	32	M52 x 2	133,9	75,9	36	60	55	65	250	GK107-S42L-42L-A-N	GK 1569/00N

AD	DN	G1	L1	L2	L3	S1	S2	S3	P (bar)	Designation	Article-Nr.
6S	4	M14 x 1,5	72,2	42,2	23	22	17	19	350	GK107-S6S-6S-A-N	GK 1570/00N
8S	6	M16 x 1,5	72,2	42,2	23	22	17	22	350	GK107-S8S-8S-A-N	GK 1571/00N
12S	8	M20 x 1,5	83,5	53	23	30	22	27	350	GK107-S12S-12S-A-N	GK 1573/00N
16S	12	M24 x 1,5	83,4	48,9	26	30	24	32	350	GK107-S16S-16S-A-N	GK 1574/00N
20S	16	M30 x 2	115,4	64,9	40	41	36	41	350	GK107-S20S-20S-A-N	GK 1575/00N
25S	20	M36 x 2	120,4	66,4	42	41	36	46	350	GK107-S25S-25S-A-N	GK 1576/00N
30S	25	M42 x 2	133,9	76,4	44	60	55	50	250	GK107-S30S-30S-A-N	GK 1577/00N
38S	32	M52 x 2	139,9	76,9	47	60	55	65	250	GK107-S38S-38S-A-N	GK 1578/00N

Alternative sizes and materials as well as seals on request.
All data without guarantee, subject to technical changes.

GK 108 Elbow Swivel Fitting - connection 24° - bulkhead / connection 24°

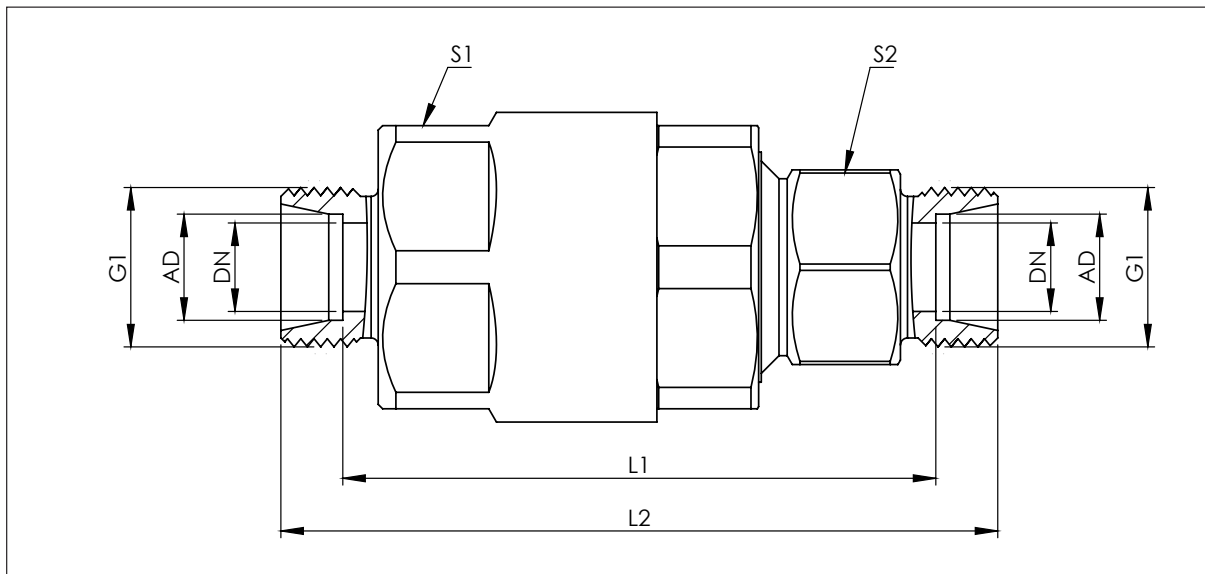


AD	DN	G1	L1	L2	L3	L4	L5	L6	S1	S2	S3	P (bar)	Designation	Article-Nr.
6L	4	M12 x 1,5	70,2	39,2	16	32,5	20	13	22	25	17	350	GK108-S6L-6L-A-N	GK 1860/00N
8L	6	M14 x 1,5	70,2	39,2	16	35	22,5	15,5	22	25	19	350	GK108-S8L-8L-A-N	GK 1861/00N
10L	8	M16 x 1,5	85,5	51,3	16	45,8	28,8	21,8	30	22	22	350	GK108-S10L-10L-A-N	GK 1862/00N
12L	10	M18 x 1,5	85,5	51,3	16	45,8	28,8	21,8	30	22	24	350	GK108-S12L-12L-A-N	GK 1863/00N
15L	12	M22 x 1,5	85,5	48,3	19	46,3	28,8	21,8	32	28	32	350	GK108-S15L-15L-A-N	GK 1864/00N
18L	16	M26 x 1,5	120,4	65,4	32,5	58,8	36	28,5	36	41	36	350	GK108-S18L-18L-A-N	GK 1865/00N
22L	19	M30 x 2	120,9	71,9	26,5	60,8	38	30,5	36	41	41	350	GK108-S22L-22L-A-N	GK 1866/00N

AD	DN	G1	L1	L2	L3	L4	L5	L6	S1	S2	S3	P (bar)	Designation	Article-Nr.
6S	4	M14 x 1,5	70,2	39,2	16	36	23,5	16,5	22	25	19	350	GK108-S6S-6S-A-N	GK 1870/00N
8S	6	M16 x 1,5	70,2	39,2	16	35,5	23	16	22	25	22	350	GK108-S8S-8S-A-N	GK 1871/00N
10S	7	M18 x 1,5	85,5	51,6	15,5	45,8	28,8	21,3	30	27	24	350	GK108-S10S-10S-A-N	GK 1872/00N
12S	8	M20 x 1,5	85,5	51,3	15,5	45,8	28,8	21,3	30	22	27	350	GK108-S12S-12S-A-N	GK 1873/00N
16S	12	M24 x 1,5	87,4	46,4	17,5	49,8	33	24,5	30	30	32	350	GK108-S16S-16S-A-N	GK 1874/00N
20S	16	M30 x 2	124,4	66,4	29,5	62,8	40	29,5	41	40	41	350	GK108-S20S-20S-A-N	GK 1875/00N
25S	20	M36 x 2	125,4	65,4	30	64,8	42	30	41	40	46	350	GK108-S25S-25S-A-N	GK 1876/00N
30S	25	M42 x 2	157,4	90,4	30,5	79	49	35,5	60	60	50	250	GK108-S30S-30S-A-N	GK 1877/00N
38S	32	M52 x 2	158,4	81,4	31	41	57	89,3	60	60	65	250	GK108-S38S-38S-A-N	GK 1878/00N

Alternative sizes and materials as well as seals on request.
All data without guarantee, subject to technical changes.

GK 111 Straight Swivel Fitting with dust protection - connection 24° / connection 24°

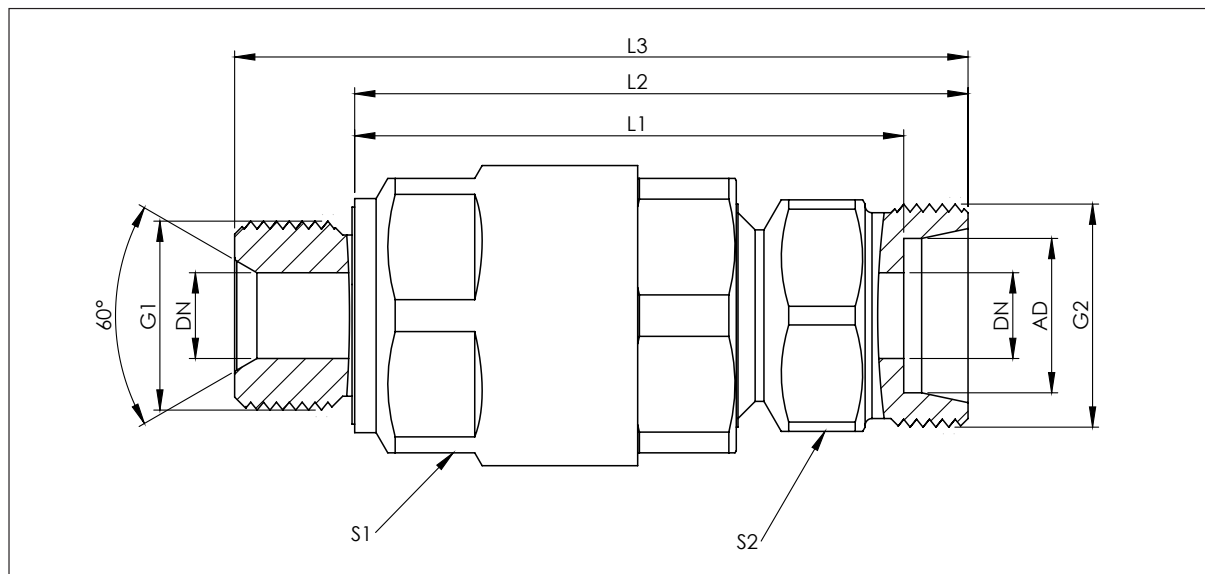


AD	DN	G1	L1	L2	S1	S2	P (bar)	Designation	Article-Nr.
6L	4	M12 x 1,5	66,3	80,3	27	19	350	GK111-6L-6L-A-N	GK 1410/20SL
8L	6	M14 x 1,5	66,3	80,3	27	19	350	GK111-8L-8L-A-N	GK 1411/20SL
10L	7,5	M16 x 1,5	67,3	81,3	27	19	350	GK111-10L-10L-A-N	GK 1412/20SL
12L	7,5	M18 x 1,5	67	81	32	22	350	GK111-12L-12L-A-N	GK 1413/20SL
15L	12	M22 x 1,5	68	82	32	24	350	GK111-15L-15L-A-N	GK 1414/20SL
18L	16	M26 x 1,5	87,1	102,1	46	36	350	GK111-18L-18L-A-N	GK 1415/20SL
22L	16	M30 x 2	91,1	106,1	46	36	350	GK111-22L-22L-A-N	GK 1416/20SL
28L	20	M36 x 2	91,6	106,6	50	41	250	GK111-28L-28L-A-N	GK 1417/20SL

AD	DN	G1	L1	L2	S1	S2	P (bar)	Designation	Article-Nr.
6S	4	M14 x 1,5	70,3	84	27	19	350	GK111-6S-6S-A-N	GK 1419/20SL
8S	5	M16 x 1,5	70,3	84,3	27	19	350	GK111-8S-8S-A-N	GK 1420/20SL
10S	7	M18 x 1,5	69,3	84	27	19	350	GK111-10S-10S-A-N	GK 1421/20SL
12S	8,5	M20 x 1,5	68	83	32	24	350	GK111-12S-12S-A-N	GK 1422/20SL
14S	10	M22 x 1,5	70	86	32	24	350	GK111-14S-14S-A-N	GK 1423/20SL
16S	10	M24 x 1,5	69	86	32	24	350	GK111-16S-16S-A-N	GK 1424/20SL
20S	16	M30 x 2	89,1	110,1	46	36	350	GK111-20S-20S-A-N	GK 1425/20SL
25S	17	M36 x 2	87,1	111,1	46	36	350	GK111-25S-25S-A-N	GK 1426/20SL

Alternative sizes and materials as well as seals on request.
All data without guarantee, subject to technical changes.

GK 112R Straight Swivel Union with dust protection - connection - inch - form E / connection 24°

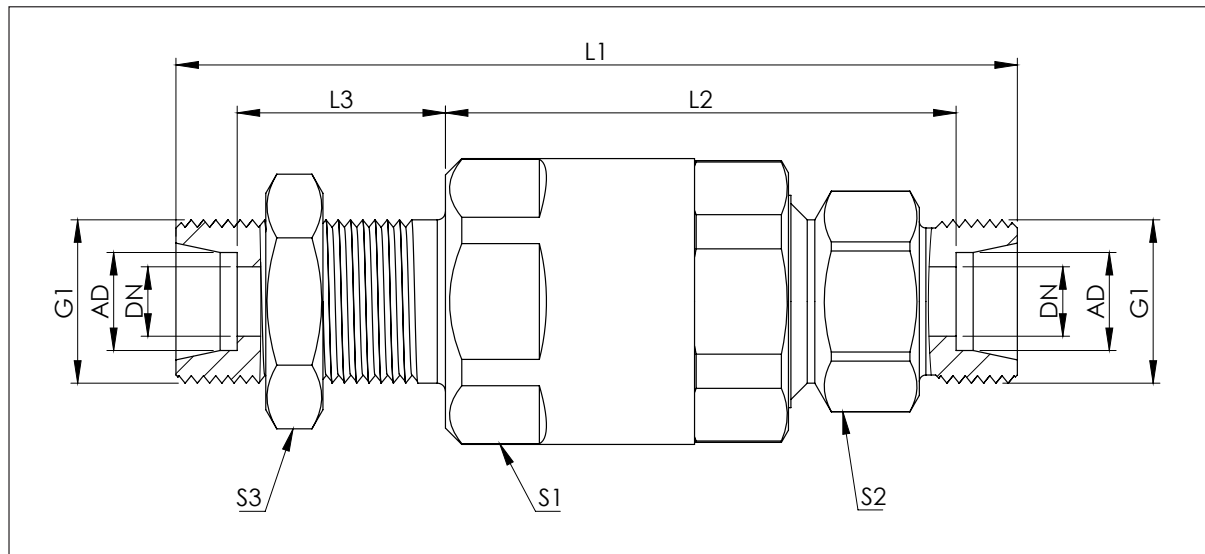


AD	DN	G1	G2	L1	L2	L3	S1	S2	P (bar)	Designation	Article-Nr.
6L	4	G 1/4	M12 x 1,5	63,3	70,3	82,3	27	19	350	GK112R-G1/4FE-6L-A-N	GK 1437/20SL
8L	6	G 1/4	M14 x 1,5	63,3	70,3	82,3	27	19	350	GK112R-G1/4FE-8L-A-N	GK 1438/20SL
10L	8	G 3/8	M16 x 1,5	63,3	70,3	82,3	27	19	350	GK112R-G3/8FE-10L-A-N	GK 1450/20SL
12L	8	G 3/8	M18 x 1,5	63,3	70,3	82,3	27	19	350	GK112R-G3/8FE-12L-A-N	GK 1451/20SL
12L	8	G 1/2	M18 x 1,5	64,5	71,5	85,5	32	22	350	GK112R-G1/2FE-12L-A-N	GK 1454/20SL
15L	10	G 1/2	M22 x 1,5	64,5	71,5	85,5	32	24	350	GK112R-G1/2FE-15L-A-N	GK 1459/20SL
18L	10	G 1/2	M26 x 1,5	64	71,5	85,5	32	27	350	GK112R-G1/2FE-18L-A-N	GK 1462/20SL
18L	10	G 3/4	M26 x 1,5	63	70,5	86,5	32	27	350	GK112R-G3/4FE-18L-A-N	GK 1461/20SL
22L	16	G 3/4	M30 x 2	87,9	95,1	111,1	46	36	350	GK112R-G3/4FE-22L-A-N	GK 1466/20SL

AD	DN	G1	G2	L1	L2	L3	S1	S2	P (bar)	Designation	Article-Nr.
6S	4	G 1/4	M14 x 1,5	65,3	72,3	84,3	27	19	350	GK112R-G1/4FE-6S-A-N	GK 1436/20SL
8S	5	G 1/4	M16 x 1,5	65,3	72,3	84,3	27	19	350	GK112R-G1/4FE-8S-A-N	GK 1449/20SL
10S	6	G 3/8	M18 x 1,5	64,8	72,3	84,3	27	19	350	GK112R-G3/8FE-10S-A-N	GK 1446/20SL
12S	7	G 3/8	M 20 x 1,5	62,8	70,3	82,3	27	24	350	GK112R-G3/8FE-12S-A-N	GK 1453/20SL
12S	8,5	G 1/2	M 20 x 1,5	65	72,5	86,5	32	24	350	GK112R-G1/2FE-12S-A-N	GK 1456/20SL
14S	8,5	G 3/8	M22 x 1,5	64,3	72,3	84	27	24	350	GK112R-G3/8FE-14S-A-N	GK 1447/20SL
14S	10	G 1/2	M22 x 1,5	65,5	73,5	87,5	32	24	350	GK112R-G1/2FE-14S-A-N	GK 1458/20SL
16S	10	G 1/2	M24 x 1,5	65	73,5	87,5	32	24	350	GK112R-G1/2FE-16S-A-N	GK 1460/20SL
20S	10	G 3/4	M 30 x 2	64	72,5	88,5	32	24	350	GK112R-G3/4FE-20S-A-N	GK 1465/20SL
25S	16	G 3/4	M36 x 2	87,8	99,8	115,8	46	36	350	GK112R-G3/4FE-25S-A-N	GK 1471/20SL
25S	16	G 1	M36 x 2	87,3	99,3	117,3	46	36	350	GK112R-G1FE-25S-A-N	GK 1479/20SL

Alternative sizes and materials as well as seals on request.
All data without guarantee, subject to technical changes.

GK 117 Straight Swivel Union with dust protection - connection 24° - bulkhead / connection 24°



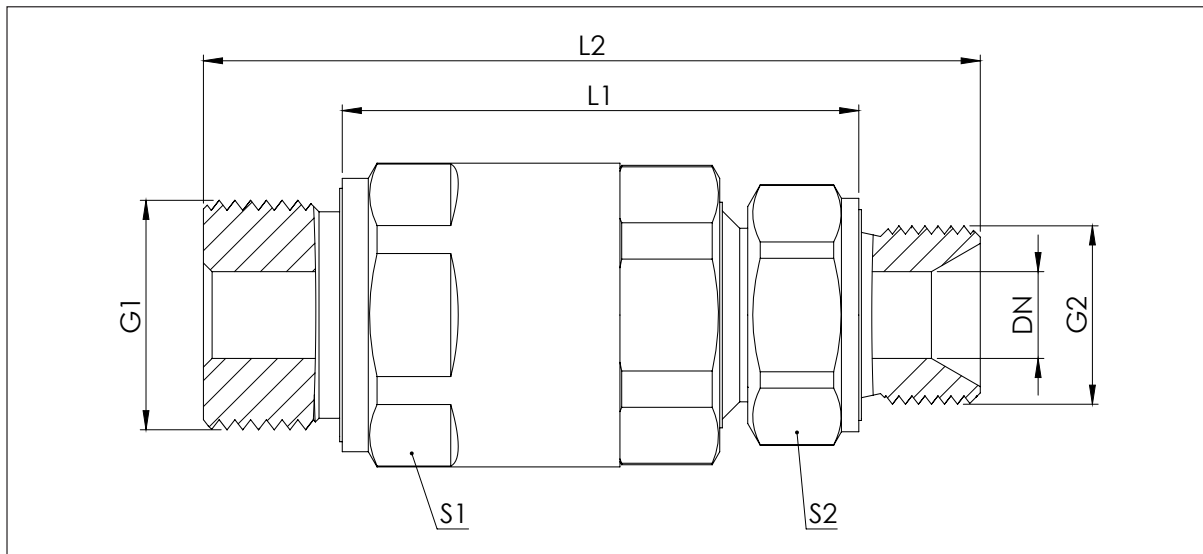
AD	DN	G1	L1	L2	L3	S1	S2	S3	P (bar)	Designation	Article-Nr.
8L	6	M14 x 1,5	95	63,3	18	27	19	19	350	GK117-S8L-8L-A-N	GK 1503/20SL
10L	8	M16 x 1,5	92,3	62,3	16	27	19	22	350	GK117-S10L-10L-A-N	GK 1501/20SL
12L	10	M18 x 1,5	102	62	26	32	22	24	350	GK117-S12L-12L-A-N	GK 1508/20SL
15L	10	M22 x 1,5	102	62	26	32	24	32	350	GK117-S15L-15L-A-N	GK 1511/20SL
18L	15	M26 x 1,5	129,6	82,1	32,5	46	36	36	350	GK117-S18L-18L-A-N	GK 1515/20SL
22L	17	M30 x 2	132,1	84,5	32,5	46	36	41	350	GK117-S22L-22L-A-N	GK 1520/20SL
28L	25	M36 x 2	132,6	85,1	32,5	50	41	46	250	GK117-S28L-28L-A-N	GK 1523/20SL

AD	DN	G1	L1	L2	L3	S1	S2	S3	P (bar)	Designation	Article-Nr.
6S	5	M14 x 1,5	97	63,3	20	27	19	19	350	GK117-S6S-6S-A-N	GK 1502/20SL
8S	4	M16 x 1,5	99	63,3	22	27	19	22	350	GK117-S8S-8S-A-N	GK 1505/20SL
10S	7	M18 x 1,5	103	64,8	23,5	27	19	24	350	GK117-S10S-10S-A-N	GK 1507/20SL
12S	8,5	M20 x 1,5	103	62,5	25,5	32	24	27	350	GK117-S12S-12S-A-N	GK 1510/20SL
14S	10	M22 x 1,5	104	63	25	32	24	32	350	GK117-S14S-14S-A-N	GK 1512/20SL
16S	12	M24 x 1,5	104	62,5	24,5	32	24	32	350	GK117-S16S-16S-A-N	GK 1514/20SL
20S	16	M30 x 2	134,1	83,6	29,5	46	36	41	350	GK117-S20S-20S-A-N	GK 1518/20SL
25S	17	M36 x 2	145,1	86,1	35	46	36	46	350	GK117-S25S-25S-A-N	GK 1522/20SL

Alternative sizes and materials as well as seals on request.

All data without guarantee, subject to technical changes.

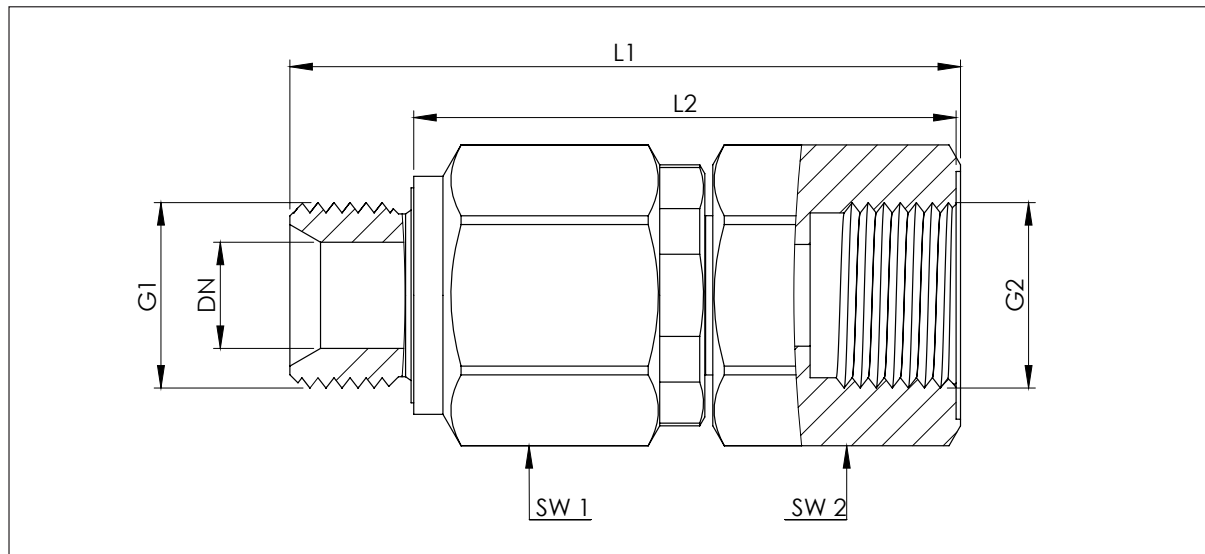
GK 119R Straight Swivel Union with dust protection - connections form E / form E



DN	G1	G2	L1	L2	S1	S2	P (bar)	Designation	Article-Nr.
6	G 1/4	G 1/4	67	91	27	24	350	GK119R-G1/4FE-G1/4FE-A-N	GK 1435/20SL
8	G 3/8	G 3/8	64,3	88	27	24	350	GK119R-G3/8FE-G3/8FE-A-N	GK 1440/20SL
10	G 1/2	G 1/2	60,5	88,5	32	27	350	GK119R-G1/2FE-G1/2FE-A-N	GK 1441/20SL
10	G 3/4	G 1/2	59,5	89,5	32	27	350	GK119R-G3/4FE-G1/2FE-A-N	GK 1442/20SL
17	G 3/4	G 3/4	83,1	115,1	46	35	350	GK119R-G3/4FE-G3/4FE-A-N	GK 1443/20SL
17	G 1	G 1	81,4	117,1	46	41	350	GK119R-G1FE-G1FE-A-N	GK 1445/20SL

Alternative sizes and materials as well as seals on request.
All data without guarantee, subject to technical changes.

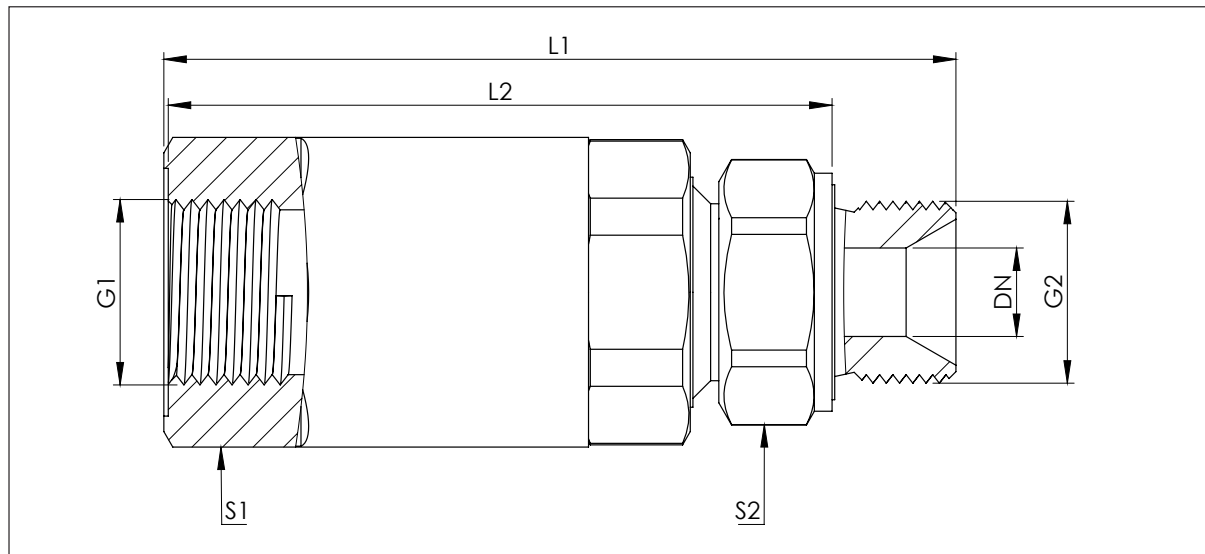
GK 309R Straight Swivel Fitting - connections form E / female thread



DN	G1	G2	L1	L2	S1	S2	P (bar)	Designation	Article-Nr.
6	G 1/4	G 1/4	65,2	53,2	22	22	350	GK309R-G1/4FE-IG1/4-A-N	GK 1622/00N
8	G 3/8	G 3/8	76,8	64,8	30	27	350	GK309R-G3/8FE-IG3/8-A-N	GK 1623/00N
11,5	G 1/2	G 1/2	76,3	62,3	30	30	350	GK309R-G1/2FE-IG1/2-A-N	GK 1624/00N
16	G 3/4	G 3/4	93,4	77	41	36	350	GK309R-G3/4FE-IG3/4-A-N	GK 1625/00N
19	G 1	G 1	98,4	80	46	41	350	GK309R-G1FE-IG1-A-N	GK 1626/00N
30	G 1 1/4	G 1 1/4	113	93	60	55	250	GK309R-G1.1/4FE-IG1.1/4-A-N	GK 1627/00N
30	G 1 1/2	G 1 1/2	115	93	60	60	250	GK309R-G1.1/2FE-IG1.1/2-A-N	GK 1628/00N

Alternative sizes and materials as well as seals on request.
All data without guarantee, subject to technical changes.

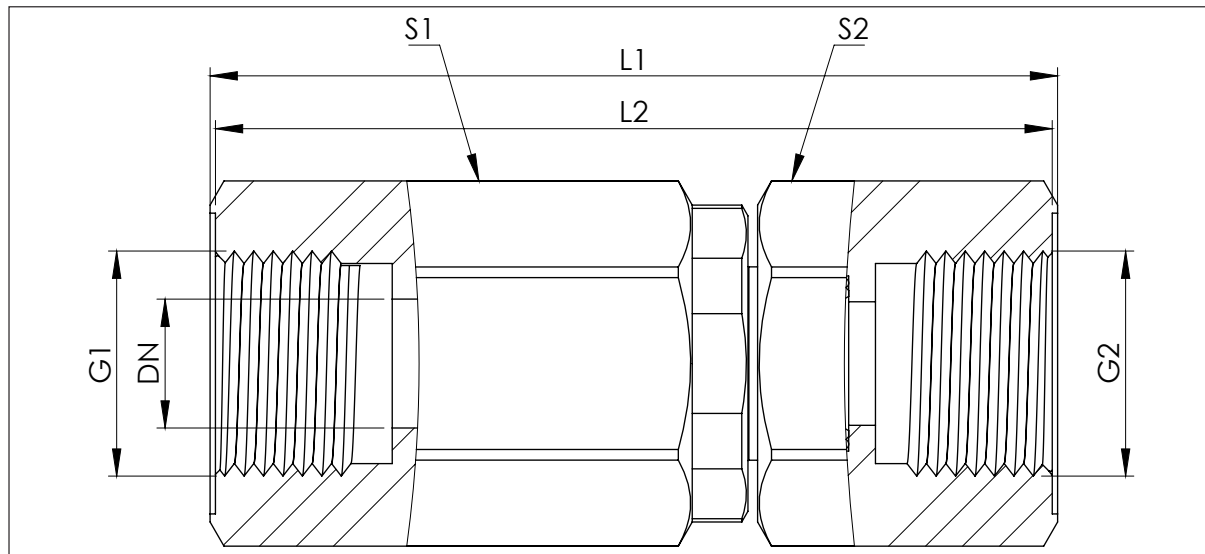
GK 329R Straight Swivel Union with dust protection - female / form E connections



DN	G1	G2	L1	L2	S1	S2	P (bar)	Designation	Article-Nr.
8	G 1/4	G 1/4	91	78,5	27	24	350	GK329R-IG1/4-G1/4FE-A-N	GK 1052/20SL
8	G 3/8	G 3/8	88,3	75,8	27	24	350	GK329R-IG3/8-G3/8FE-A-N	GK 1054/20SL
10	G 1/2	G 1/2	89,5	75	32	27	350	GK329R-IG1/2-G1/2FE-A-N	GK 1056/20SL
10	G 5/8	G 5/8	96	80,5	32	32	350	GK329R-IG5/8-G5/8FE-A-N	GK 1058/20SL
17	G 3/4	G 3/4	116,6	100	36	36	350	GK329R-IG3/4-G3/4FE-A-N	GK 1060/20SL
17	G 1	G 1	118,6	100	46	41	350	GK329R-IG1-G1FE-A-N	GK 1062/20SL
30	G 1 1/4	G 1 1/4	168,3	147,8	60	55	250	GK329R-IG1.1/4-G1.1/4FE-A-N	GK 1064/20SL
30	G 1 1/2	G 1 1/2	170	148	70	60	250	GK329R-IG1.1/2-G1.1/2FE-A-N	GK 1066/20SL

Alternative sizes and materials as well as seals on request.
All data without guarantee, subject to technical changes.

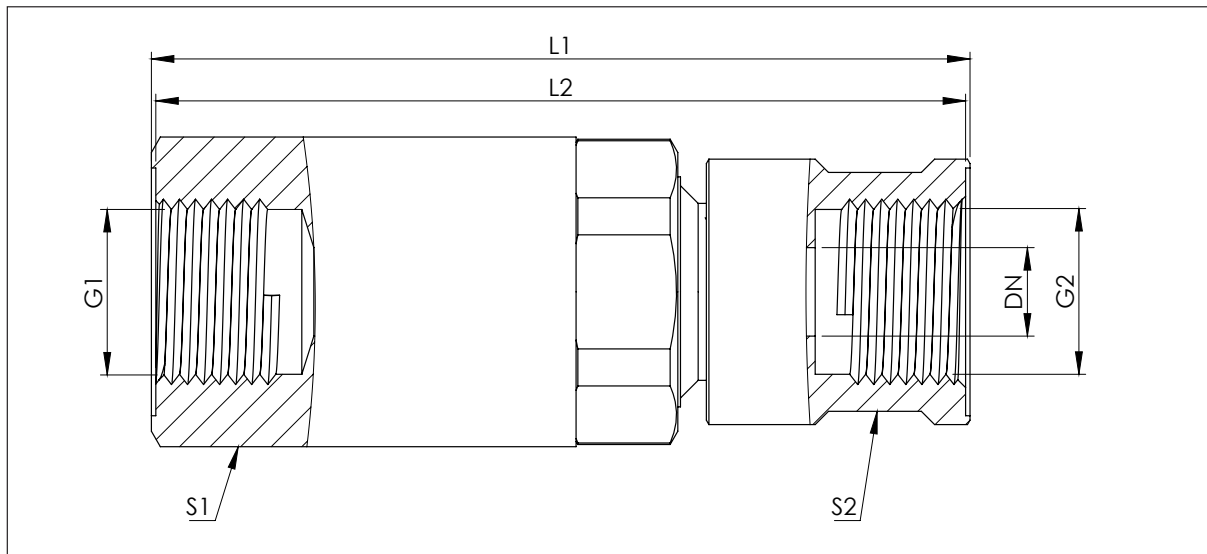
GK 409R Straight Swivel Fitting - female threaded connections on both ends



DN	G1	G2	L1	L2	S1	S2	P (bar)	Designation	Article-Nr.
6	G 1/4	G 1/4	70,5	69,5	22	22	350	GK409R-IG1/4-IG1/4-A-N	GK 1631/00N
8	G 3/8	G 3/8	75	74	30	27	350	GK409R-IG3/8-IG3/8-A-N	GK 1632/00N
11,5	G 1/2	G 1/2	79,1	78,1	30	30	350	GK409R-IG1/2-IG1/2-A-N	GK 1633/00N
19	G 3/4	G 3/4	89,9	88,9	46	41	350	GK409R-IG3/4-IG3/4-A-N	GK 1635/00N
19	G 1	G 1	93,9	92,9	46	41	350	GK409R-IG1-IG1-A-N	GK 1636/00N
30	G 1 1/4	G 1 1/4	113	112	60	55	250	GK409R-IG1.1/4-IG1.1/4-A-N	GK 1637/00N
30	G 1 1/2	G 1 1/2	115	114	60	60	250	GK409R-IG1.1/2-IG1.1/2-A-N	GK 1638/00N

Alternative sizes and materials as well as seals on request.
All data without guarantee, subject to technical changes.

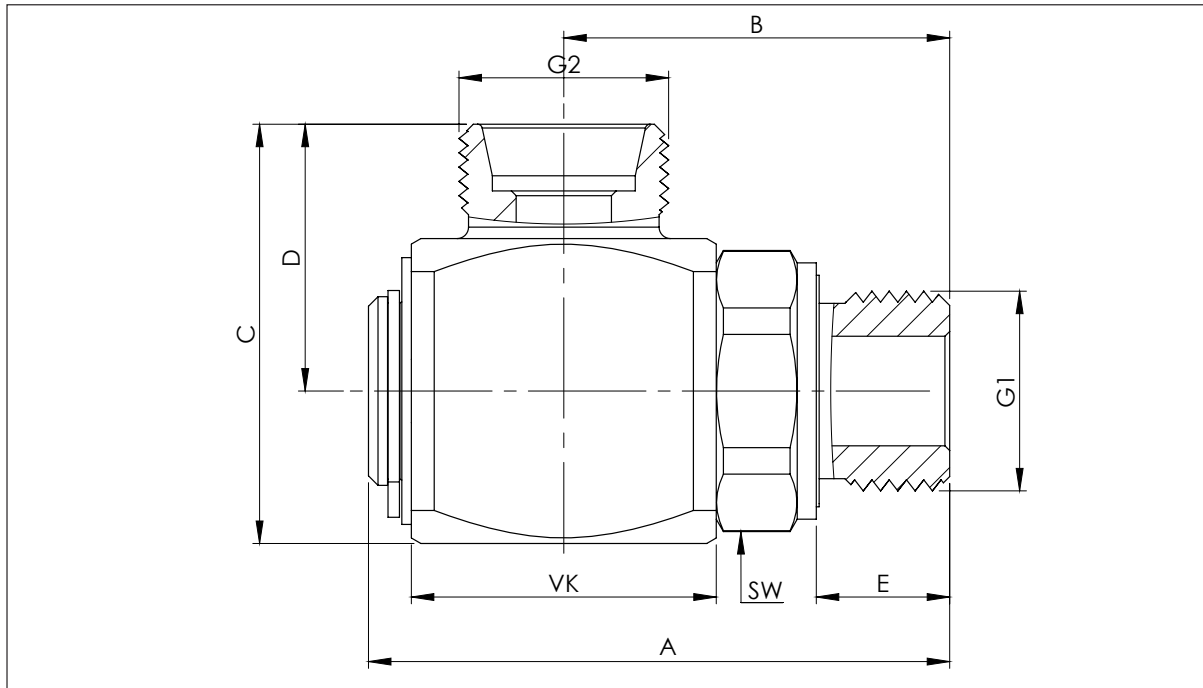
GK 419R Straight Swivel Fitting with dust protection - female threaded connections on both ends



DN	G1	G2	L1	L2	S1	S2	P (bar)	Designation	Article-Nr.
6	G 1/8	G 1/8	86,3	85,3	27	19	350	GK419R-IG1/8-IG1/8-A-N	GK 1100/20SL
8	G 1/4	G 1/4	89,3	88,3	27	24	350	GK419R-IG1/4-IG1/4-A-N	GK 1102/20SL
8	G 3/8	G 3/8	89,3	88,3	27	27	350	GK419R-IG3/8-IG3/8-A-N	GK 1104/20SL
10	G 1/2	G 1/2	92,5	91,5	32	27	350	GK419R-IG1/2-IG1/2-A-N	GK 1106/20SL
10	G 5/8	G 5/8	92,5	91,5	32	32	350	GK419R-IG5/8-IG5/8-A-N	GK 1108/20SL
17	G 3/4	G 3/4	123,4	122,4	36	36	350	GK419R-IG3/4-IG3/4-A-N	GK 1110/20SL
17	G 1	G 1	123,4	122,4	46	41	350	GK419R-IG1-IG1-A-N	GK 1112/20SL

Alternative sizes and materials as well as seals on request.
All data without guarantee, subject to technical changes.

502R Elbow Block - connection 24° / connection inch form E



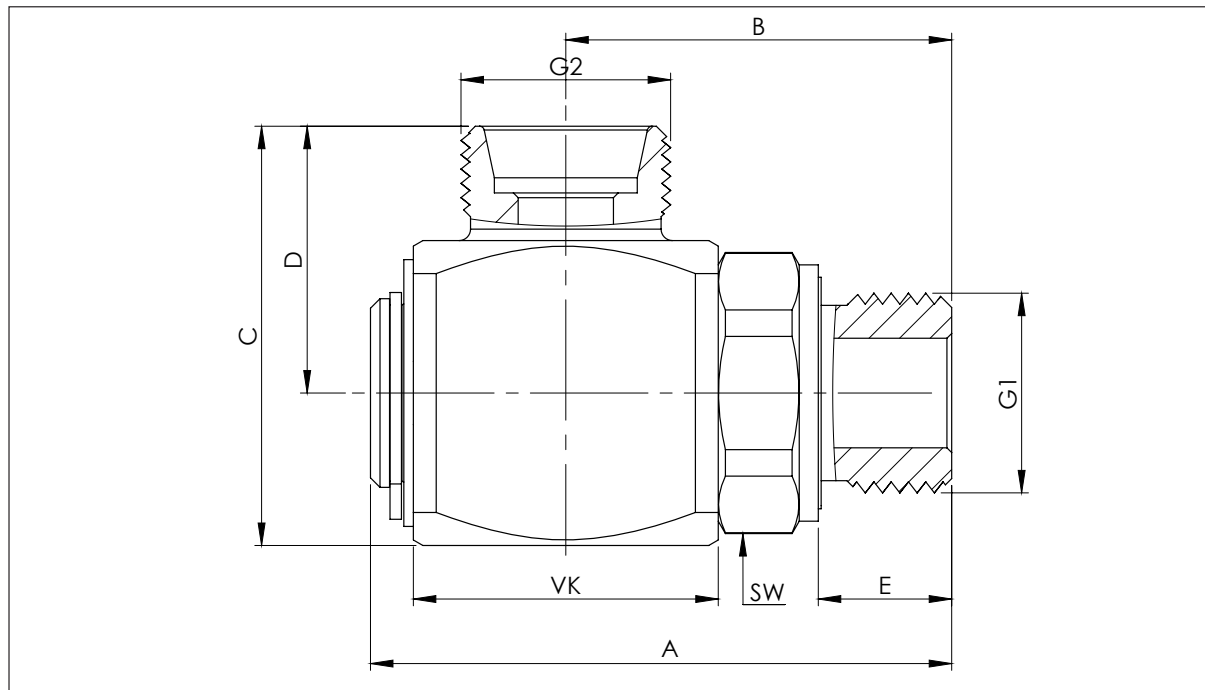
AD	DN	G1	G2	A	B	C	D	E	SW	VK	P (bar)	Designation	Article-Nr.
10L	6	G 1/4	M16 x 1,5	58	37,5	44	28	12	22	32	350	GK502R-1/4FE-10L-A-N	GK 1314/00
12L	8	G 3/8	M18 x 1,5	58	37,5	44	28	12	24	32	350	GK502R-3/8FE-12L-A-N	GK 1318/00
12L	10	G 1/2	M18 x 1,5	61	40,5	44	28	12	27	32	350	GK502R-1/2FE-12L-A-N	GK 1334/00
15L	8	G 3/8	M22 x 1,5	58	37,5	44	28	12	24	32	350	GK502R-3/8FE-15L-A-N	GK 1333/00
15L	10	G 1/2	M22 x 1,5	61	40,5	44	28	14	27	32	350	GK502R-1/2FE-15L-A-N	GK 1295/00
18L	10	G 1/2	M26 x 1,5	61	40,5	44	28	14	27	32	350	GK502R-1/2FE-18L-A-N	GK 1340/00

AD	DN	G1	G2	A	B	C	D	E	SW	VK	P (bar)	Designation	Article-Nr.
12S	8	G 3/8	M20 x 1,5	58	37,5	44	28	12	24	32	350	GK502R-3/8FE-12S-A-N	GK 1319/00
16S	8	G 3/8	M24 x 1,5	58	37,5	46	30	12	24	32	350	GK502R-3/8FE-16S-A-N	GK 1353/00
16S	10	G 1/2	M24 x 1,5	61	40,5	46	30	14	27	32	350	GK502R-1/2FE-16S-A-N	GK 1354/00
20S	13	G 3/4	M30 x 2	72	47	56	36	16	32	40	350	GK502R-3/4FE-20S-A-N	GK 1350/00

Alternative sizes and materials as well as seals on request.

All data without guarantee, subject to technical changes.

GK 502M Elbow Block - connection 24° / connection metric form E



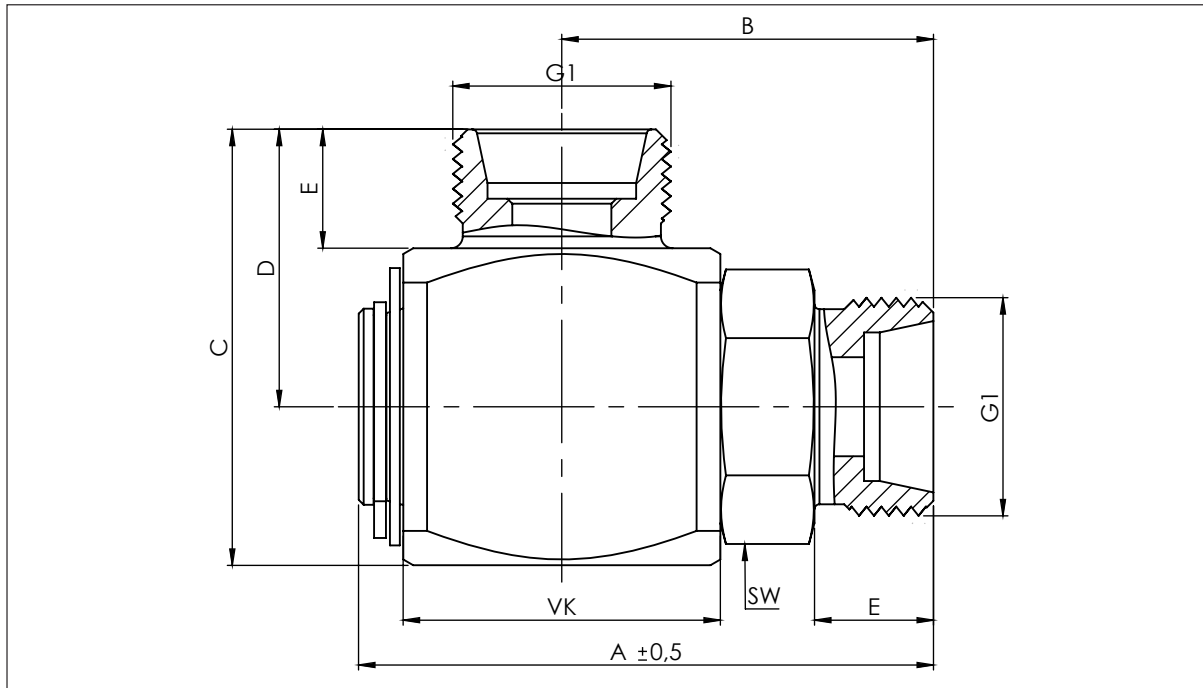
AD	DN	G1	G2	A	B	C	D	E	SW	VK	P (bar)	Designation	Article-Nr.
10L	8	M16 x 1,5	M16 x 1,5	58	37,5	44	28	12	24	32	350	GK502M-M16FE-10L-A-N	GK 1232/00
12L	8	M16 x 1,5	M18 x 1,5	58	37,5	44	28	12	24	32	350	GK502M-M16FE-12L-A-N	GK 1233/00
12L	10	M18 x 1,5	M18 x 1,5	58	37,5	44	28	12	24	32	350	GK502M-M18FE-12L-A-N	GK 1229/00
15L	10	M18 x 1,5	M22 x 1,5	58	37,5	44	28	12	24	32	350	GK502M-M18FE-15L-A-N	GK 1224/00
15L	10	M22 x 1,5	M22 x 1,5	59	38,5	44	28	12	27	32	350	GK502M-M22FE-15L-A-N	GK 1294/00
15L	10	M27 x 2	M22 x 1,5	75	50	56	36	16	32	40	350	GK502M-M27FE-15L-A-N	GK 1330/00
18L	12	M22 x 1,5	M26 x 1,5	73	48	52	32	14	32	40	350	GK502M-M26FE-18L-A-N	GK 1346/00

AD	DN	G1	G2	A	B	C	D	E	SW	VK	P (bar)	Designation	Article-Nr.
12S	8	M18 x 1,5	M20 x 1,5	58	37,5	44	28	12	24	32	350	GK502M-M18FE-12S-A-N	GK 1316/00
12S	10	M22 x 1,5	M20 x 1,5	59	38,5	44	28	12	27	32	350	GK502M-M22FE-12S-A-N	GK 1313/00
16S	10	M22 x 1,5	M24 x 1,5	59	38,5	46	30	12	27	32	350	GK502M-M22FE-16S-A-N	GK 1355/00
20S	12	M22 x 1,5	M30 x 2	73	48	56	36	14	32	40	350	GK502M-M22FE-20S-A-N	GK 1337/00
20S	13	M27 x 2	M30 x 2	75	50	56	36	16	32	40	350	GK502M-M27FE-20S-A-N	GK 1339/00

Alternative sizes and materials as well as seals on request.

All data without guarantee, subject to technical changes.

GK 511 Elbow Block - connection 24° / connection 24°

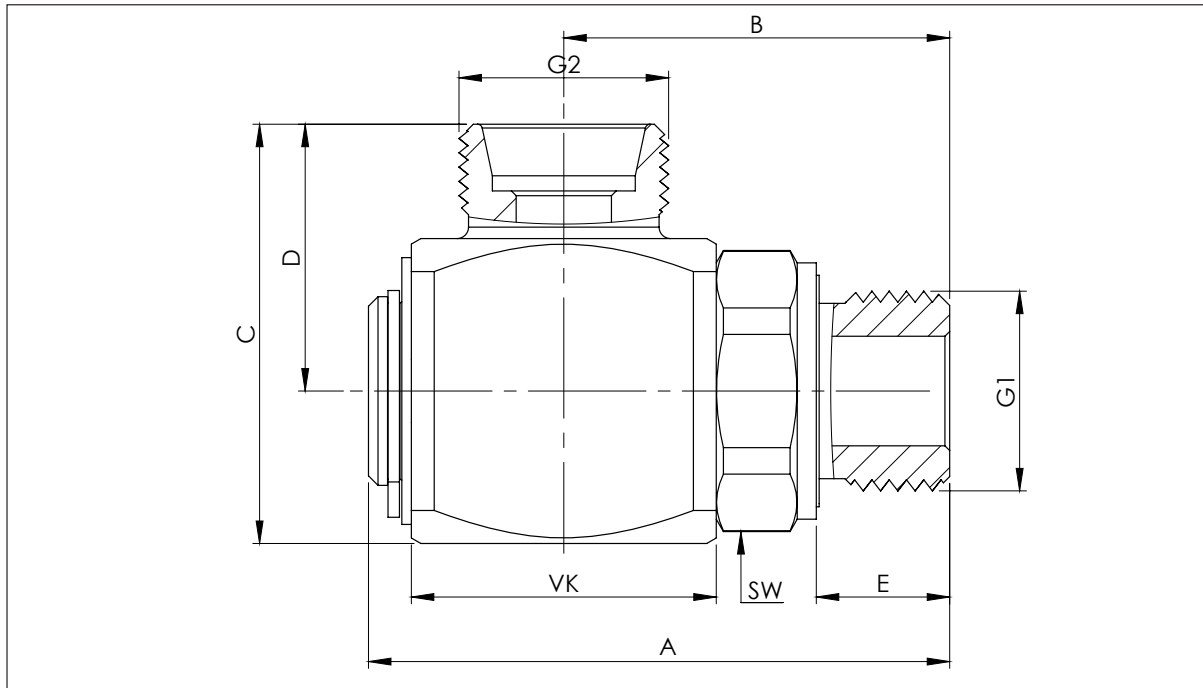


AD	DN	G1	A	B	C	D	E	SW	VK	P (bar)	Designation	Article-Nr.
6L	4	M12 x 1,5	49	31	37	23,5	10	19	27	350	GK511-6L-6L-A-N	GK 2349/00
8L	6	M14 x 1,5	54	33	40	25	10	22	30	350	GK511-8L-8L-A-N	GK 2350/00
10L	8	M16 x 1,5	57	36	43	27	11	24	32	350	GK511-10L-10L-A-N	GK 2351/00
12L	10	M18 x 1,5	63	39	47	29	11	27	36	350	GK511-12L-12L-A-N	GK 2352/00
15L	12	M22 x 1,5	68	42	52	32	12	32	40	350	GK511-15L-15L-A-N	GK 2353/00
18L	15	M26 x 1,5	75	46	57	34,5	12	36	45	350	GK511-18L-18L-A-N	GK 2354/00
22L	19	M30 x 2	89	54	69	41,5	14	41	55	350	GK511-22L-22L-A-N	GK 2355/00
28L	24	M36 x 2	103	62	79	46,5	14	50	65	250	GK511-28L-28L-A-N	GK 2356/00
35L	30	M45 x 2	115	69	91	53,5	16	55	75	250	GK511-35L-35L-A-N	GK 2357/00
42L	36	M52 x 2	147	90	106	61	16	70	90	250	GK511-42L-42L-A-N	GK 2358/00

AD	DN	G1	A	B	C	D	E	SW	VK	P (bar)	Designation	Article-Nr.
6S	4	M14 x 1,5	51	33	39	25,5	12	19	27	350	GK511-6S-6S-A-N	GK 2359/00
8S	4	M16 x 1,5	51	33	39	25,5	12	19	27	350	GK511-8S-8S-A-N	GK 2360/00
10S	6	M18 x 1,5	56	35	42	27	12	22	30	350	GK511-10S-10S-A-N	GK 2361/00
12S	8	M20 x 1,5	58	37	44	28	12	24	32	350	GK511-12S-12S-A-N	GK 2362/00
14S	10	M22 x 1,5	66	41	50	32	14	27	36	350	GK511-14S-14S-A-N	GK 2363/00
16S	12	M24 x 1,5	70	44	54	34	14	32	40	350	GK511-16S-16S-A-N	GK 2364/00
20S	16	M30 x 2	79	50	61	38,5	16	36	45	350	GK511-20S-20S-A-N	GK 2365/00
25S	19	M36 x 2	93	58	73	45,5	18	41	55	350	GK511-25S-25S-A-N	GK 2366/00
30S	24	M42 x 2	109	68	85	52,5	20	50	65	250	GK511-30S-30S-A-N	GK 2367/00
38S	30	M52 x 2	121	75	97	59,5	22	55	75	250	GK511-38S-38S-A-N	GK 2368/00

Alternative sizes and materials as well as seals on request.
All data without guarantee, subject to technical changes.

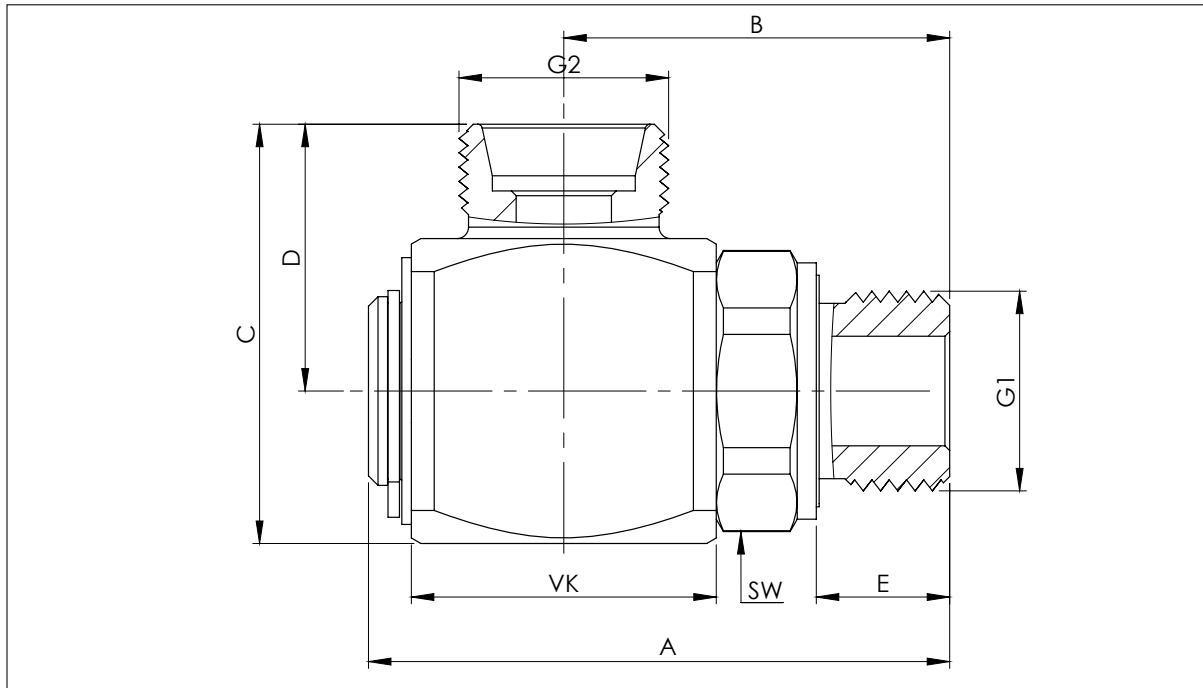
GK 512M Elbow Block - connection 24° / connection metric form E



AD	DN	G1	G2	A	B	C	D	E	SW	VK	P (bar)	Designation	Article-Nr.
6L	4	M10 x 1,5	M12 x 1,5	48	29	37	23,5	8	19	27	350	GK512M-M10FE-6L-A-N	GK 2300/00
6L	4	M12 x 1,5	M12 x 1,5	53	34	37	23,5	12	19	27	350	GK512M-M12FE-6L-A-N	GK 2301/00
8L	4	M12 x 1,5	M14 x 1,5	53	34	37	23,5	12	19	27	350	GK512M-M12FE-8L-A-N	GK 2302/00
8L	6	M14 x 1,5	M14 x 1,5	58	37	40	25	12	22	30	350	GK512M-M14FE-8L-A-N	GK 2303/00
10L	6	M14 x 1,5	M16 x 1,5	58	37	41	26	12	22	30	350	GK512M-M14FE-10L-A-N	GK 2304/00
10L	6	M16 x 1,5	M16 x 1,5	60	39	43	27	12	24	32	350	GK512M-M16FE-10L-A-N	GK 2305/00
12L	8	M16 x 1,5	M18 x 1,5	60	39	43	27	12	24	32	350	GK512M-M16FE-12L-A-N	GK 2306/00
12L	10	M18 x 1,5	M18 x 1,5	67	42	47	29	12	27	36	350	GK512M-M18FE-12L-A-N	GK 2307/00
15L	10	M18 x 1,5	M22 x 1,5	67	42	48	30	12	27	36	350	GK512M-M18FE-15L-A-N	GK 2308/00
15L	12	M22 x 1,5	M22 x 1,5	73	47	52	32	14	32	40	350	GK512M-M22FE-15L-A-N	GK 2309/00
18L	12	M22 x 1,5	M26 x 1,5	73	47	52	32	14	32	40	350	GK512M-M22FE-18L-A-N	GK 2310/00
22L	16	M26 x 1,5	M30 x 2	82	51	59	36,5	16	36	45	350	GK512M-M26FE-22L-A-N	GK 2311/00
28L	19	M33 x 2	M36 x 2	96	59	69	41,5	18	41	55	250	GK512M-M33FE-28L-A-N	GK 2312/00
35L	24	M42 x 2	M45 x 2	112	70	81	48,5	20	50	65	250	GK512M-M42FE-35L-A-N	GK 2313/00
42L	30	M48 x 2	M52 x 2	124	78	91	53,5	22	55	75	250	GK512M-M48FE-42L-A-N	GK 2314/00

Alternative sizes and materials as well as seals on request.
All data without guarantee, subject to technical changes.

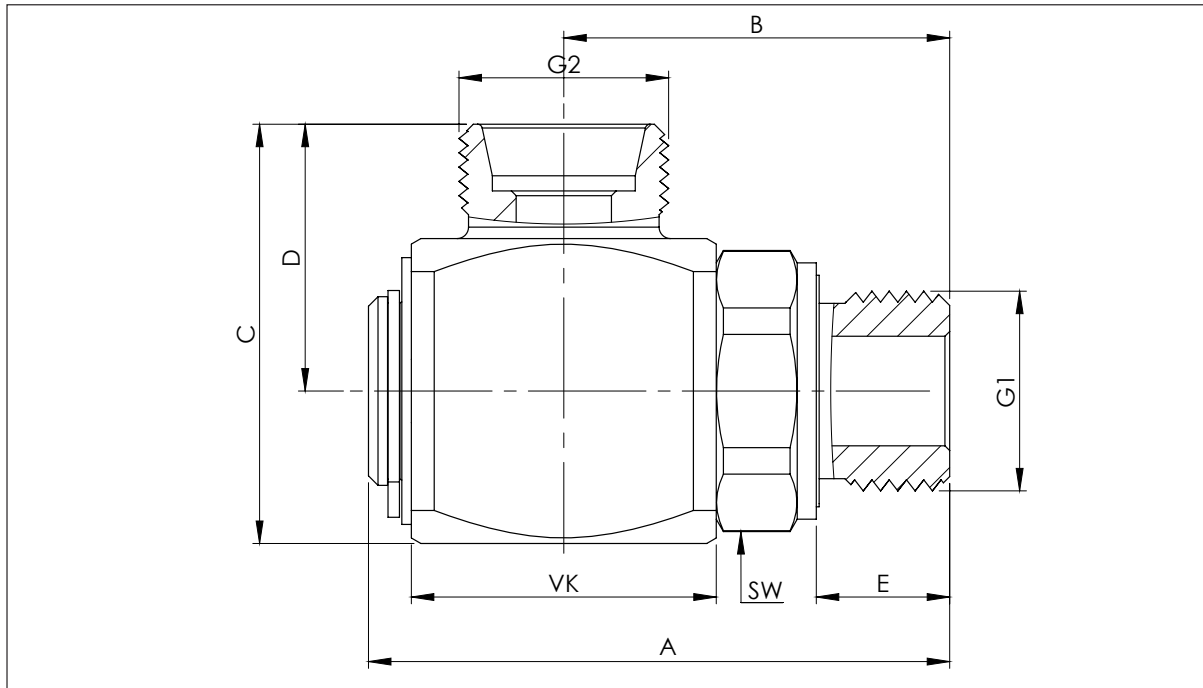
GK 512M Elbow Block - connection 24° / connection metric form E



AD	DN	G1	G2	A	B	C	D	E	SW	VK	P (bar)	Designation	Article-Nr.
6S	4	M12 x 1,5	M14 x 1,5	53	34	39	25,5	12	19	27	350	GK512M-M12FE-6S-A-N	GK 2315/00
8S	4	M14 x 1,5	M16 x 1,5	53	34	39	25,5	12	19	27	350	GK512M-M14FE-8S-A-N	GK 2316/00
10S	6	M16 x 1,5	M18 x 1,5	58	37	42	27	12	22	30	350	GK512M-M16FE-10S-A-N	GK 2317/00
12S	8	M18 x 1,5	M20 x 1,5	60	39	44	28	12	24	32	350	GK512M-M18FE-12S-A-N	GK 2318/00
14S	10	M20 x 1,5	M22 x 1,5	69	44	50	32	14	27	36	350	GK512M-M20FE-14S-A-N	GK 2319/00
16S	12	M22 x 1,5	M24 x 1,5	73	47	54	34	14	32	40	350	GK512M-M22FE-16S-A-N	GK 2320/00
20S	16	M27 x 2	M30 x 2	82	51	61	38,5	16	36	45	350	GK512M-M27FE-20S-A-N	GK 2321/00
25S	19	M33 x 2	M36 x 2	96	59	73	45,5	18	41	55	350	GK512M-M33FE-25S-A-N	GK 2322/00
30S	24	M42 x 2	M42 x 2	112	71	85	52,5	20	50	65	250	GK512M-M42FE-30S-A-N	GK 2323/00
38S	30	M48 x 2	M52 x 2	124	78	97	59,5	22	55	75	250	GK512M-M48FE-38S-A-N	GK 2324/00

Alternative sizes and materials as well as seals on request.
All data without guarantee, subject to technical changes.

GK 512R Elbow Block - connection 24° / connection inch form E

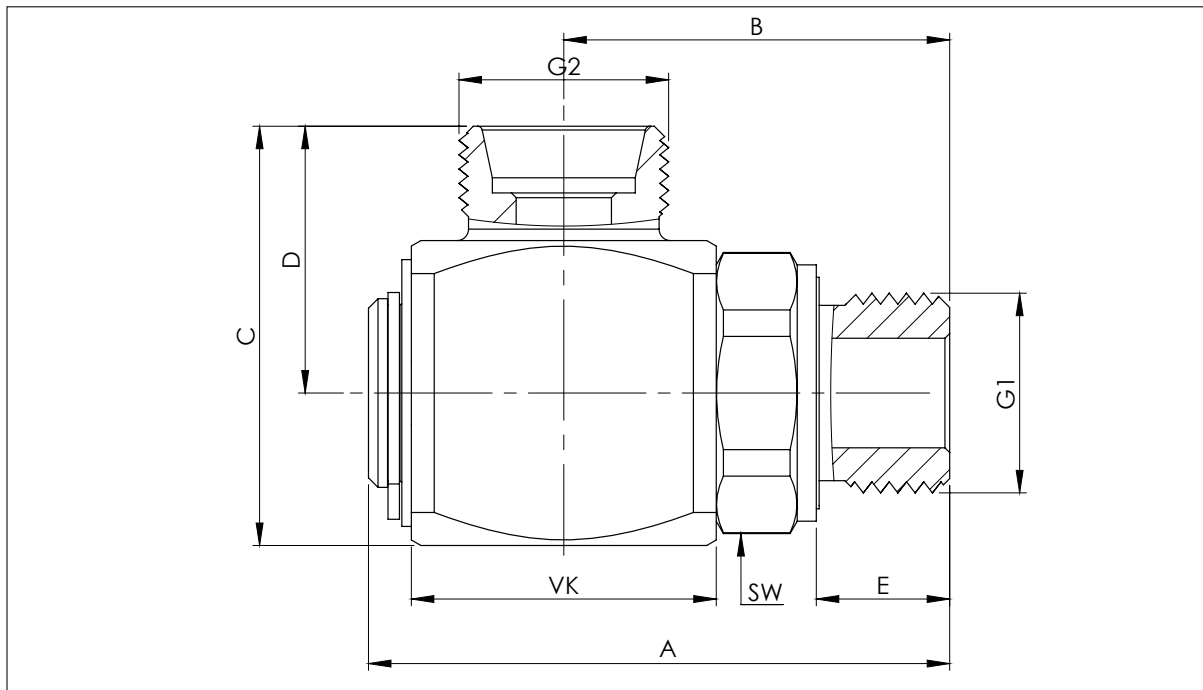


AD	DN	G1	G2	A	B	C	D	E	SW	VK	P (bar)	Designation	Article-Nr.
6L	4	G 1/8	M12 x 1,5	48	29	36,5	23	8	19	27	350	GK512R-1/8FE-6L-A-N	GK 2325/00
6L	4	G 1/4	M12 x 1,5	53	34	36,5	23	8	19	27	350	GK512R-1/4FE-6L-A-N	GK 2326/00
8L	4	G 1/4	M14 x 1,5	58	37	40	25	12	22	30	350	GK512R-1/4FE-8L-A-N	GK 2327/00
10L	6	G 1/4	M16 x 1,5	58	37	41	26	12	22	30	350	GK512R-1/4FE-10L-A-N	GK 2328/00
10L	8	G 3/8	M16 x 1,5	60	39	43	27	12	24	32	350	GK512R-3/8FE-10L-A-N	GK 2329/00
12L	8	G 3/8	M18 x 1,5	60	39	43	27	12	24	32	350	GK512R-3/8FE-12L-A-N	GK 2330/00
12L	10	G 1/2	M18 x 1,5	69	44	47	30	14	27	36	350	GK512R-1/2FE-12L-A-N	GK 2331/00
15L	10	G 1/2	M22 x 1,5	73	47	52	33	14	32	40	350	GK512R-1/2FE-15L-A-N	GK 2332/00
18L	12	G 1/2	M26 x 1,5	73	47	52	33	14	32	40	350	GK512R-1/2FE-18L-A-N	GK 2333/00
22L	16	G 3/4	M30 x 2	82	51	58,5	35	16	36	45	350	GK512R-3/4FE-22L-A-N	GK 2334/00
28L	19	G 1	M36 x 2	96	59	68,5	41	18	41	55	250	GK512R-1FE-28L-A-N	GK 2335/00
35L	24	G 1 1/4	M45 x 2	112	71	80,5	51	20	50	65	250	GK512R-1.1/4FE-35L-A-N	GK 2336/00
42L	30	G 1 1/2	M52 x 2	124	78	90,5	56	22	55	75	250	GK512R-1.1/2FE-42L-A-N	GK 2337/00

Alternative sizes and materials as well as seals on request.

All data without guarantee, subject to technical changes.

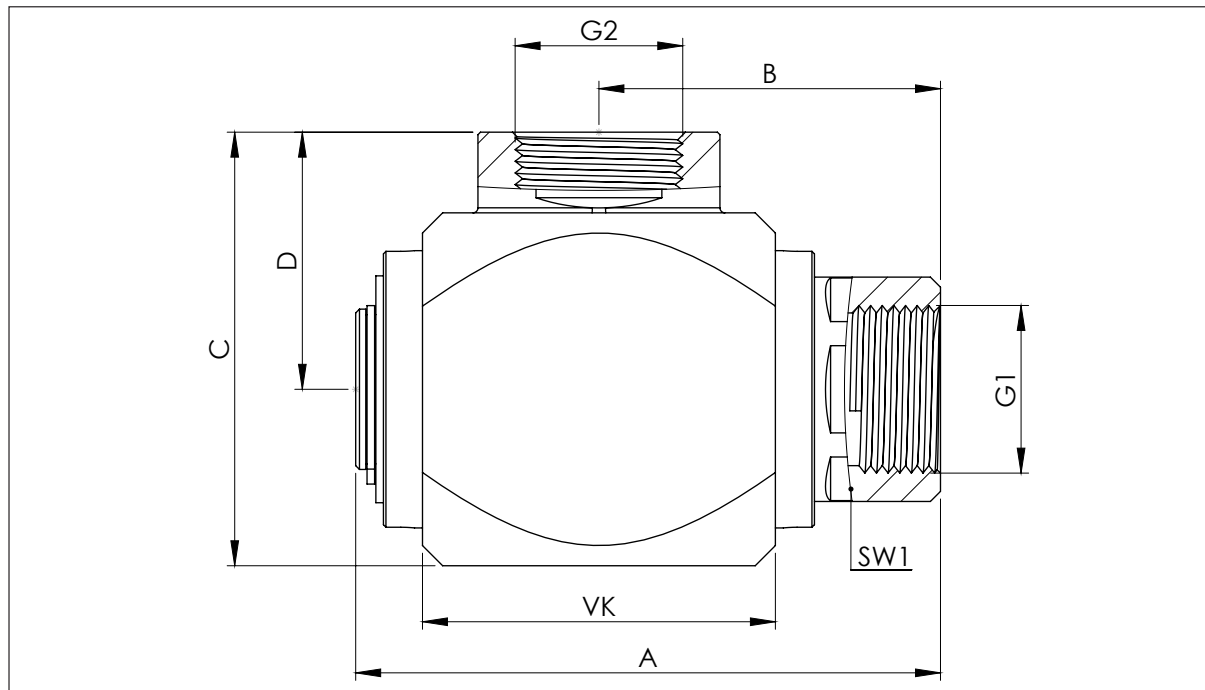
GK 512R Elbow Block - connection 24° / connection inch form E



AD	DN	G1	G2	A	B	C	D	E	SW	VK	P (bar)	Designation	Article-Nr.
6S	4	G 1/4	M12 x 1,5	47	34	38,5	25	12	19	27	350	GK512R-1/4FE-6S-A-N	GK 2339/00
8S	4	G 1/4	M14 x 1,5	47	34	38,5	25	12	19	27	350	GK512R-1/4FE-8S-A-N	GK 2340/00
10S	6	G 3/8	M16 x 1,5	52	37	42	27	12	22	30	350	GK512R-3/8FE-10S-A-N	GK 2341/00
12S	8	G 3/8	M18 x 1,5	54	39	44	28	12	24	32	350	GK512R-3/8FE-12S-A-N	GK 2342/00
14S	10	G 1/2	M20 x 1,5	62	44	50	32	14	27	36	350	GK512R-1/2FE-14S-A-N	GK 2343/00
16S	12	G 1/2	M22 x 1,5	116	47	54	34	14	32	40	350	GK512R-1/2FE-16S-A-N	GK 2344/00
20S	16	G 3/4	M27 x 2	74	51	60,5	38	16	36	45	350	GK512R-3/4FE-20S-A-N	GK 2345/00
25S	19	G 1	M33 x 2	87	59	72,5	45	18	41	55	350	GK512R-1FE-25S-A-N	GK 2346/00
30S	24	G 1 1/4	M42 x 2	102	71	84,5	52	20	50	65	250	GK512R-1.1/4FE-30S-A-N	GK 2347/00
38S	30	G 1 1/2	M48 x 2	113	78	96,5	59	22	55	75	250	GK512R-1.1/2FE-38S-A-N	GK 2348/00

Alternative sizes and materials as well as seals on request.
All data without guarantee, subject to technical changes.

GK 519R Elbow Block - Connections female thread on both sides



DN	G1	G2	A	B	C	D	SW	VK	P (bar)	Designation	Article-Nr.
11	G 1/4	G 1/4	70	43	53	33	24	40	350	GK519R-IG1/4-IG1/4-A-N	GK 2142/10
11	G 3/8	G 3/8	70	43	53	33	24	40	350	GK519R-IG3/8-IG3/8-A-N	GK 2147/10
11	G 1/2	G 1/2	70	43	53	33	27	40	350	GK519R-IG1/2-IG1/2-A-N	GK 2152/10
16	G 5/8	G 5/8	91,5	57	65	40	32	50	350	GK519R-IG5/8-IG5/8-A-N	GK 2157/10
16	G 3/4	G 3/4	91,5	57	65	40	32	50	350	GK519R-IG3/4-IG3/4-A-N	GK 2162/10
22,5	G 1	G 1	116	68	86	51	41	70	350	GK519R-IG1-IG1-A-N	GK 2167/10
32	G 1 1/4	G 1 1/4	132	78	100	60	55	80	250	GK519R-IG1.1/4-IG1.1/4-A-N	GK 2172/10
32	G 1 1/2	G 1 1/2	132	78	100	60	55	80	250	GK519R-IG1.1/2-IG1.1/2-A-N	GK 2177/10
32	G 2	G 2	137	83	107	67	70	80	250	GK519R-IG2-IG2-A-N	GK 2182/10

Alternative sizes and materials as well as seals on request.
All data without guarantee, subject to technical changes.

khk-group



www.khk-group.de



Krüger
Maschinenbau GmbH

Gerd Krüger Maschinenbau GmbH
Bahnhofstraße 33
27386 Brockel
Tel.: +49 4266 94117 Fax: +49 4266 1291
Mail: info@krueger-maschinenbau.de
Web: www.khk-group.de